

性能:

额定电流: 2.0A

额定电压: 12V

耐电压: 500V

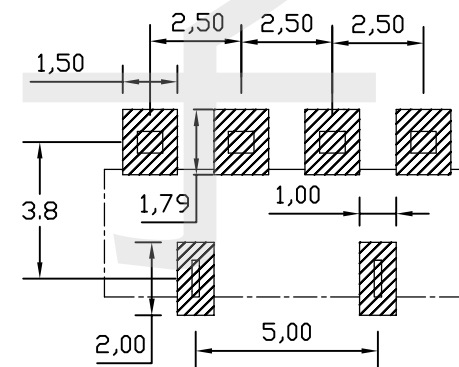
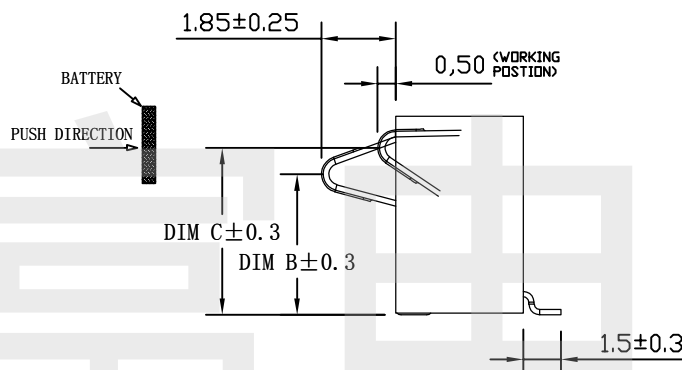
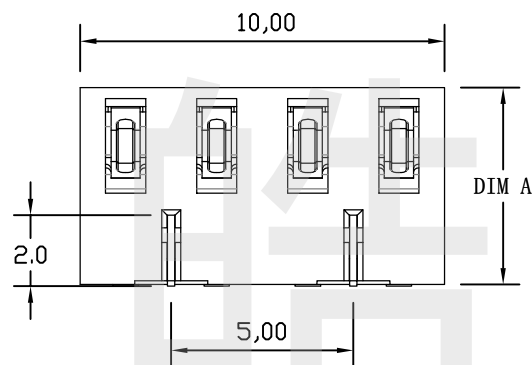
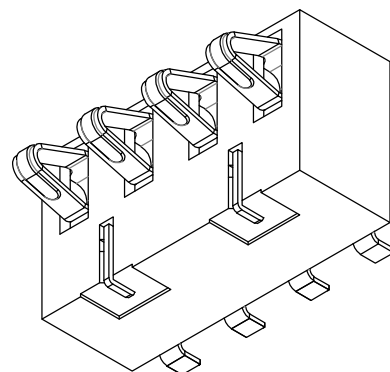
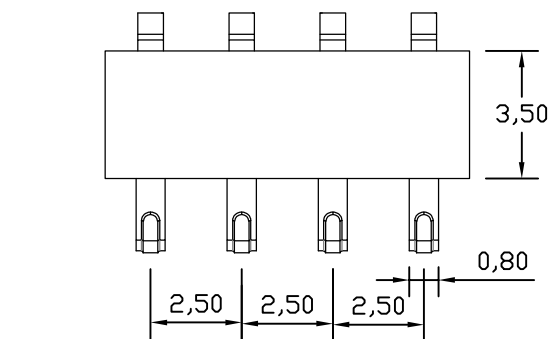
接触电阻: 30mΩ

绝缘电阻: 500MΩ

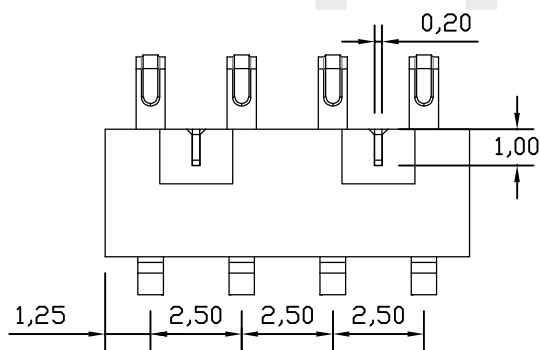
工作温度: -40℃~+85℃

塑件(材质): LCP

接触点(材质): 磷铜, 镀金



RECOMMENDED PCB LAYOUT  
TOP VIEW (.XX±0.05)



PART NO.	DIM A	DIM B	DIM C
BC4P25H54	5.4	3.9	4.5
BC4P25H60	6.0	4.5	5.1
BC4P25H70	7.0	5.5	6.1

HAOFU ELECTRONCS TECHNOLOGY CO.,LTD

COPYRIGHT RESERVED,PLEASE DO NOT COPY.

PART NAME		CONNECTOR		DRAWING	Y,C,ZHANG	DWG.No.	SBICL
PART NO.		BC4P25HXX		CHECK	G.C.Chen	REV.	A1
	UNIT :	TOLERANCE OTHERWISE	UP TO 5	±0.2	APPROVAL	DATE	PAGE
	mm		ABOVE 5~30	±0.3			
			ABOVE 30	±0.5	SCALE	2:1	1 OF 1
			ANGLE	±3'			