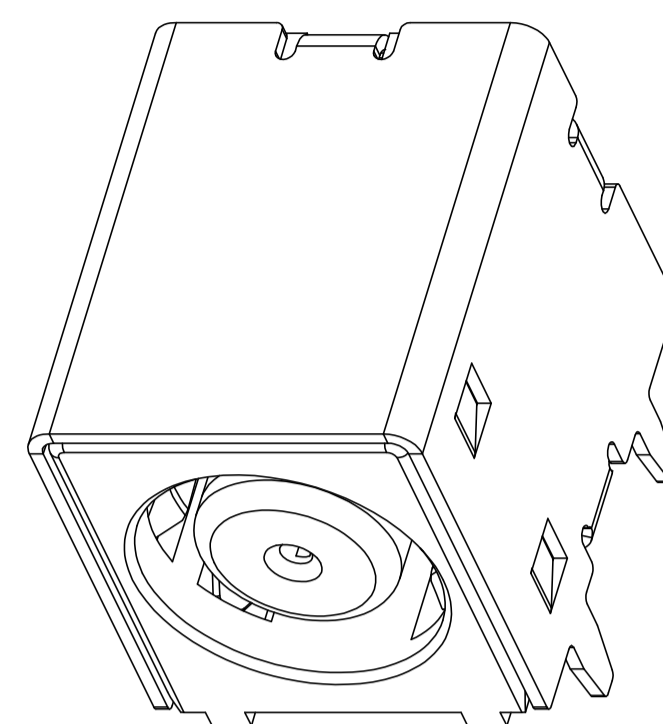
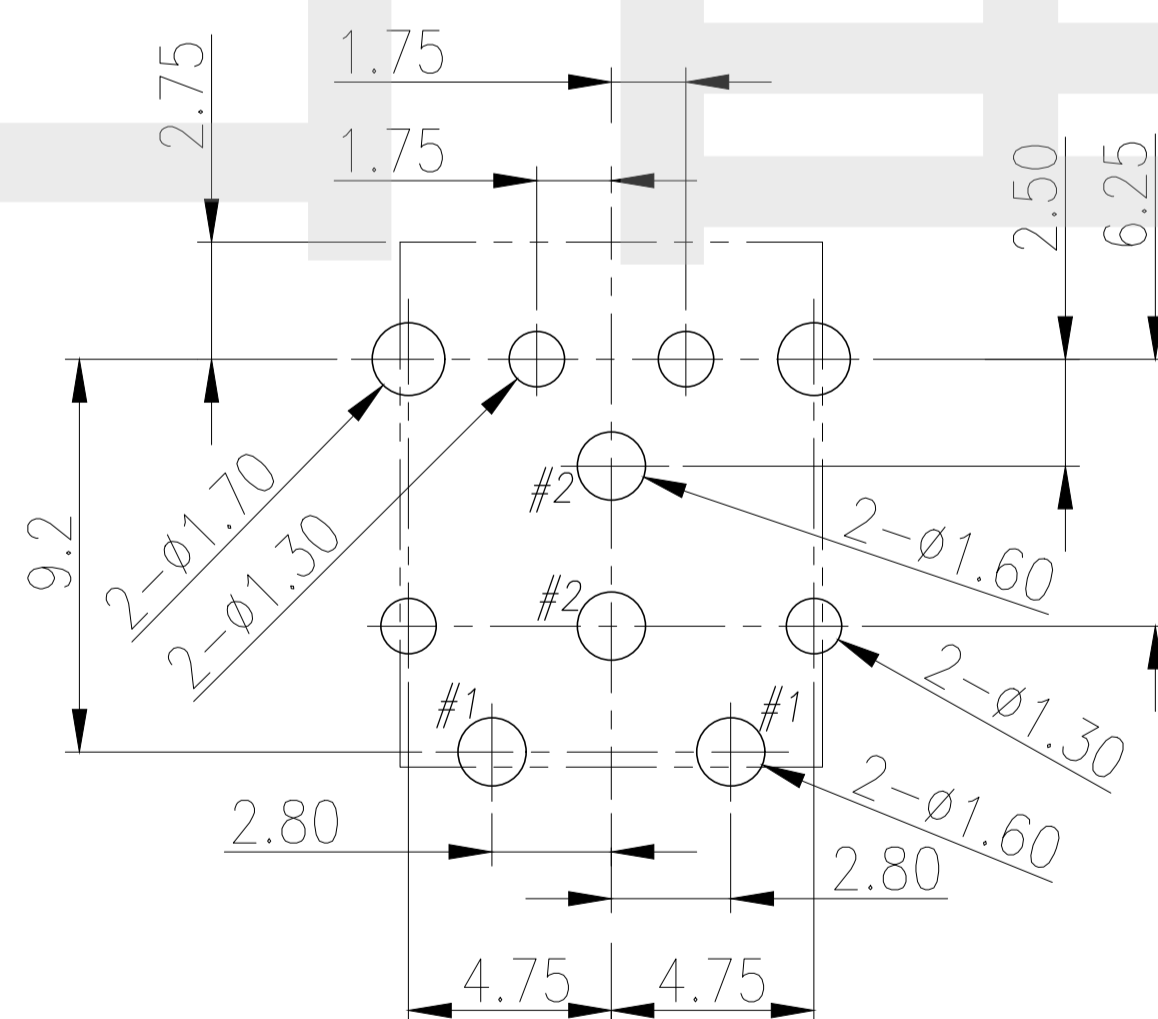
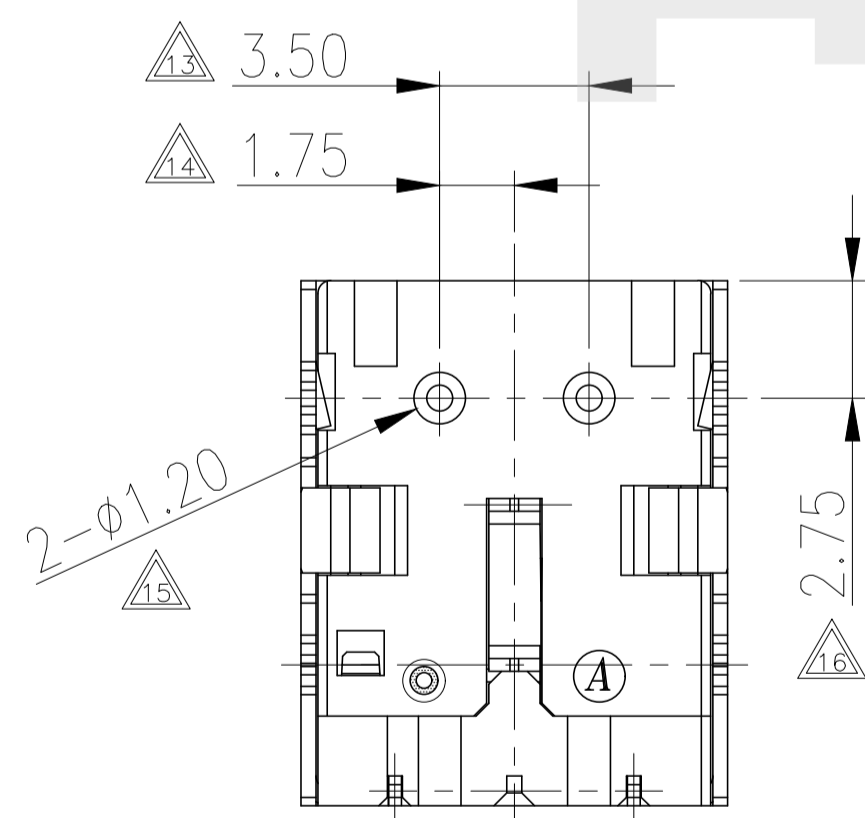
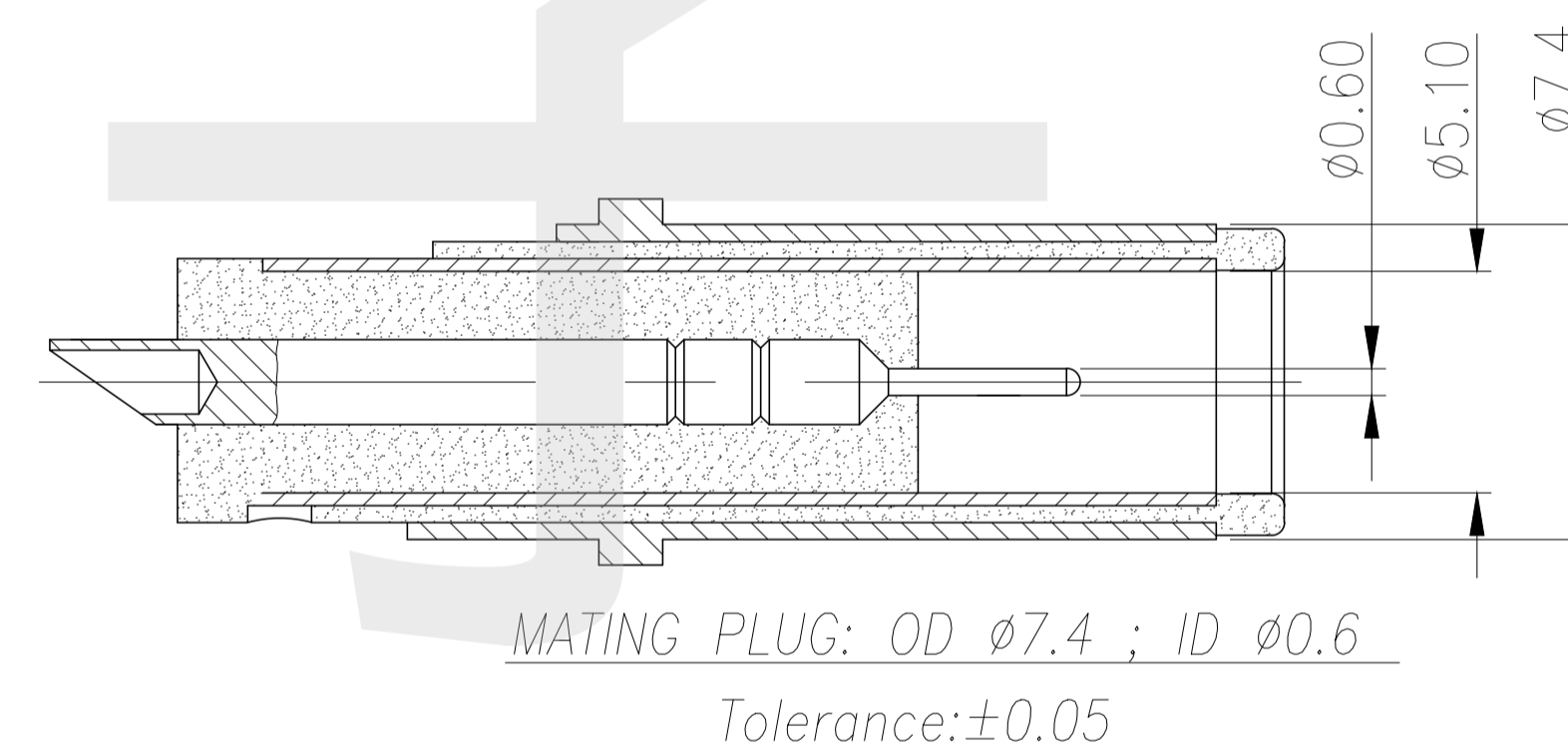
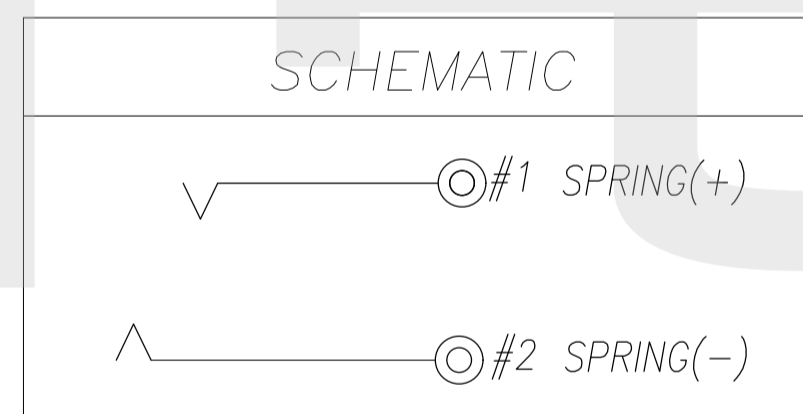
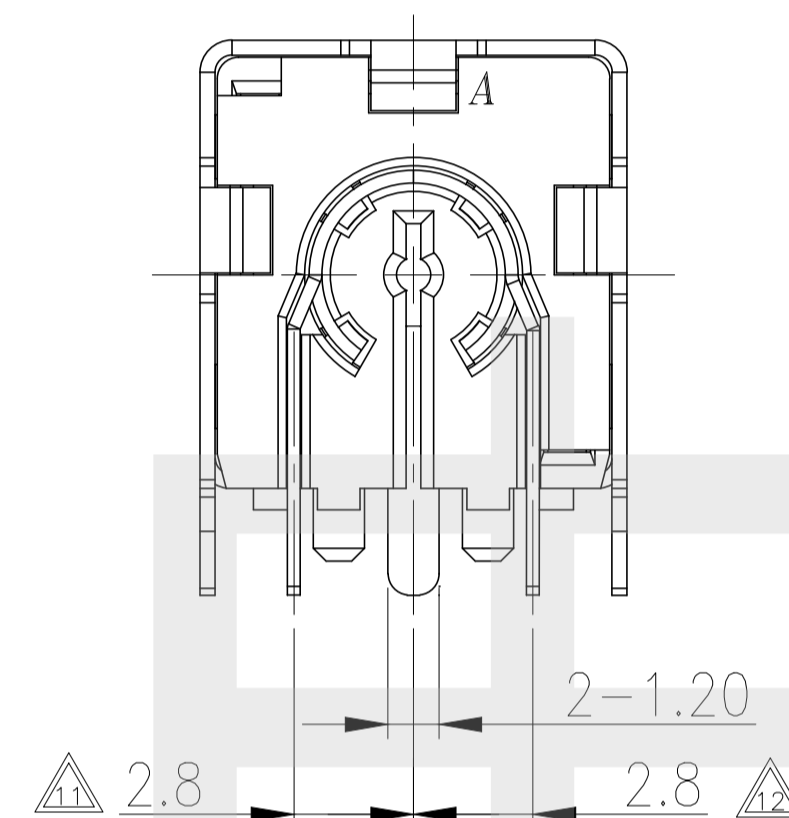
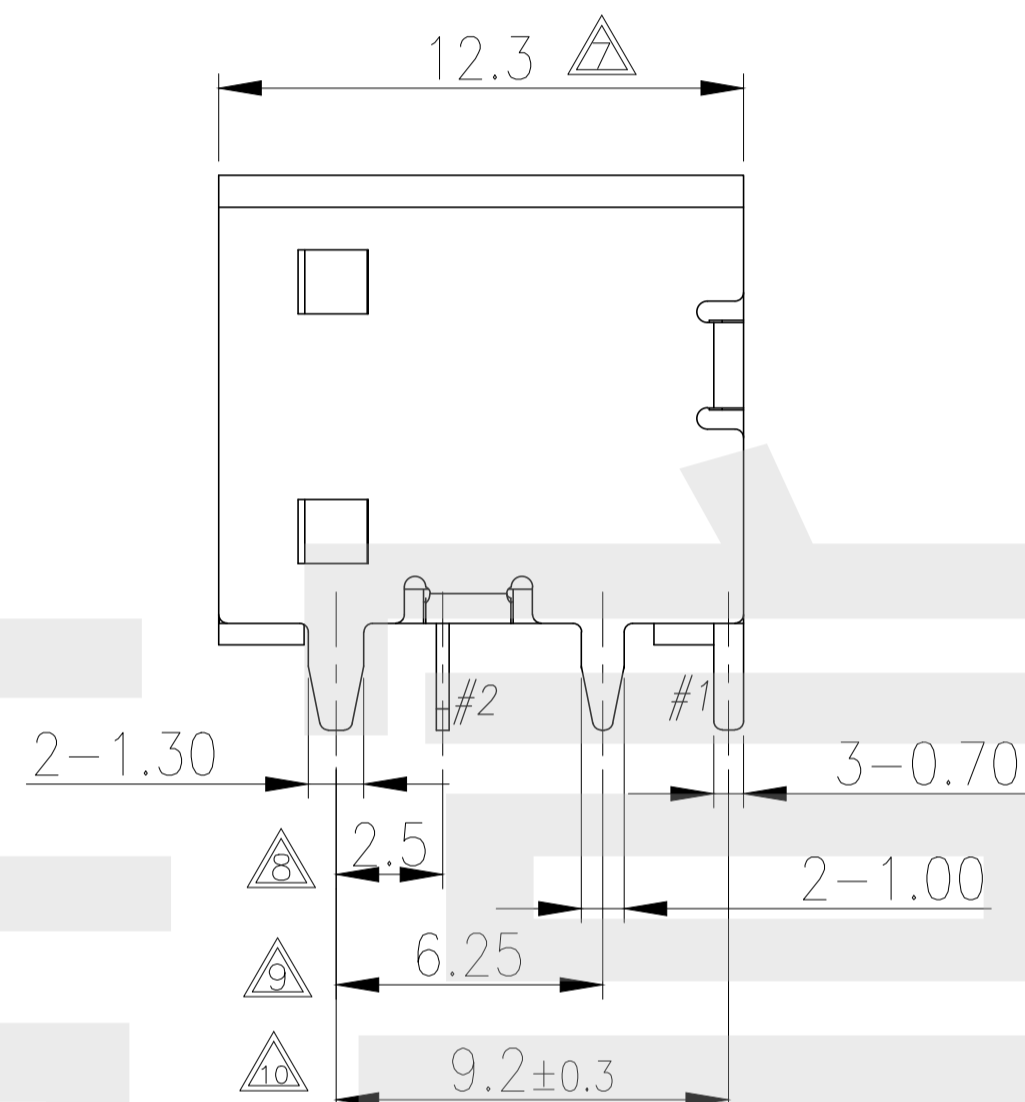
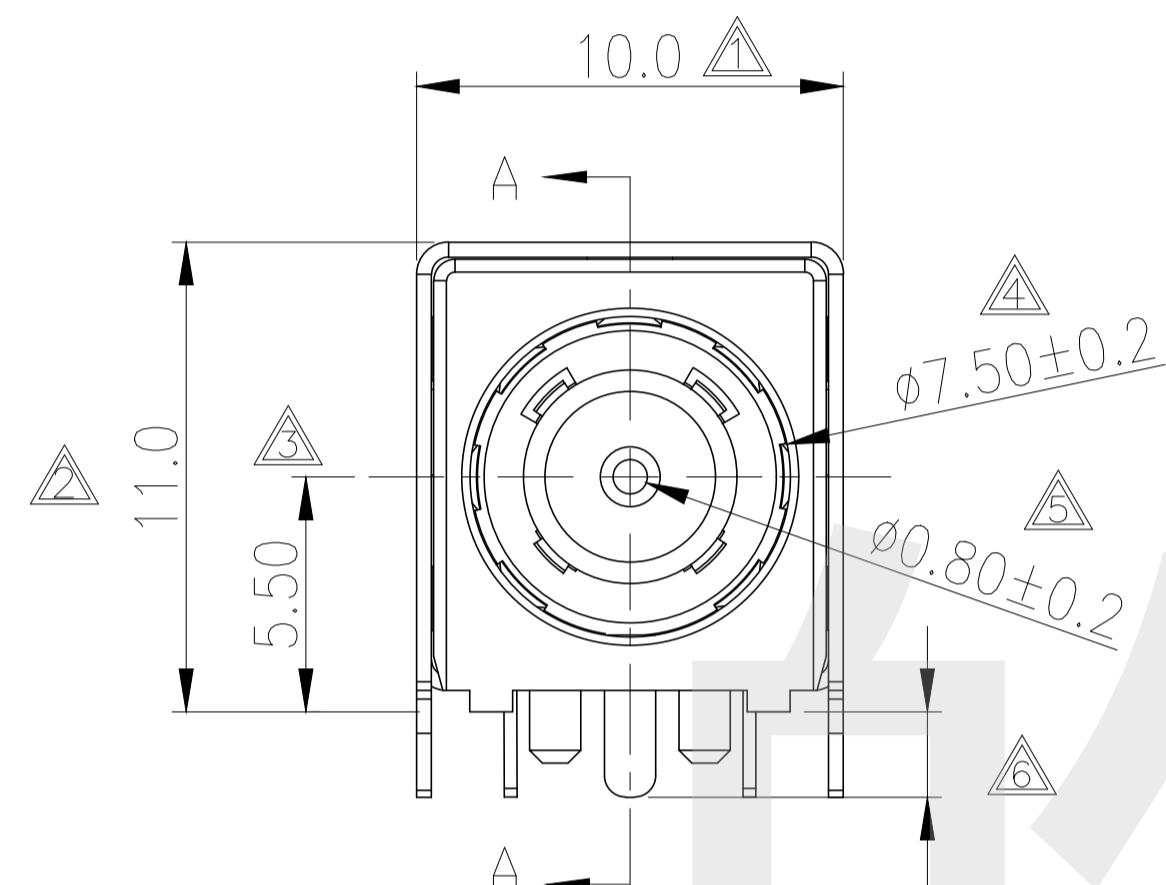


SECTION A-A
SCALE 1:1



SPECIFICATIONS:

1. ELECTRICAL CHARACTERISTICS:
 - 1-1. RATING: 20V 10A
 - 1-2. CONTACT RESISTANCE: 30m MAX.(INITIAL)
 - 1-3. DIELECTRIC WITHSTANDING VOLTAGE: 500V AC FOR ONE MINUTE.
 - 1-4. INSULATION RESISTANCE: 100M MIN. MEASURED BY 250 VDC
2. MECHANICAL CHARACTERISTICS:
 - 2-1. INSERTION FORCE : 3.0 KGF Max.
 - 2-2. WITHDRAWAL FORCE : 0.35 KGF Min.
3. LIFE TEST: 5,000 CYCLES MIN.
4. TO CONFORM TO SINGATRON HAZARDOUS SUBSTANCE FREE SPEC.



RECOMMENDED P.C.B LAYOUT
TOP VIEW (TOLERANCE: ± 0.05)

E	SHELL	1	BRASS 0.35T	—	Ni 60u"Min
D	CONTACT (+)	1	COPPER ALLOY 0.3T	—	GOLD FLASH OVER Ni 50u"
C	SPRING (-)	1	COPPER ALLOY 0.3T	—	GOLD FLASH OVER Ni 50u"
B	COVER	1	HIGH TEMP. THERMOPLASTIC	BLACK	UL 94V-0
A	HOUSING	1	HIGH TEMP. THERMOPLASTIC	BLACK	UL 94V-0
NO.	DESCRIPTION	QTY	MATERIAL	COLOR	REMARK

HADFU ELECTRONCS TECHNOLOGY CO.,LTD

COPYRIGHT RESERVED,PLEASE DO NOT COPY.

PART NAME		DC-JACK		DRAWING	Y,C,ZHANG	DWG.No.	SBICL
PART NO.		DC-071		CHECK	G.C.Chen	REV.	A1
UNIT : mm	TOLERANCE	UP TO 5	± 0.2	ANGLE	APPROVAL	DATE	PAGE
	OTHERWISE	ABOVE 5~30	± 0.3				