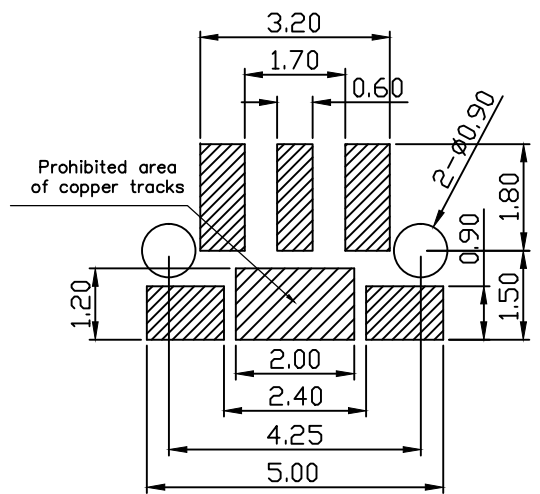
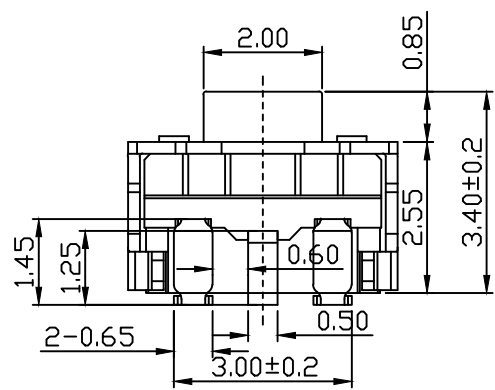
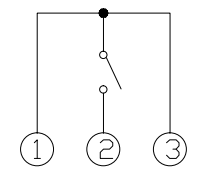


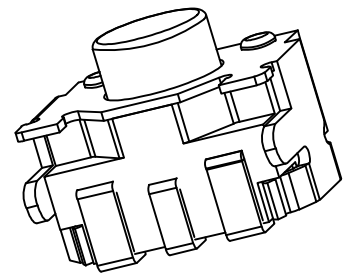
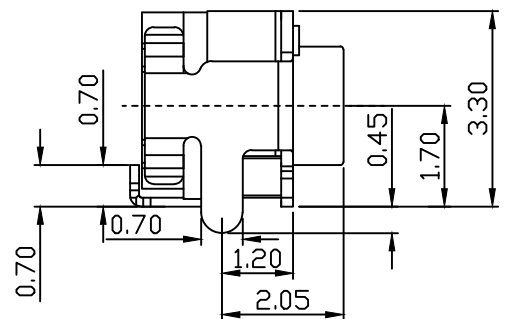
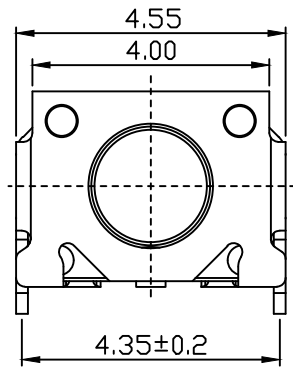
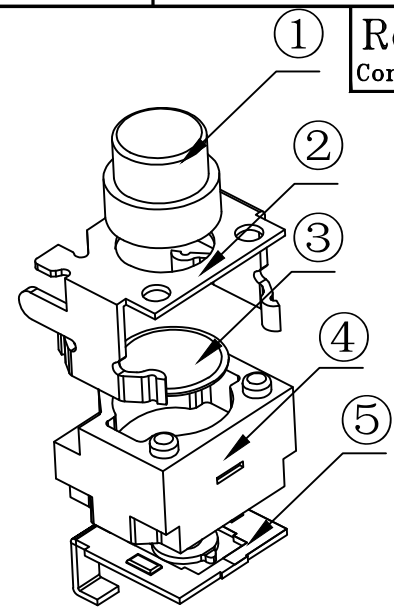
RoHS
Compliant



印制线路板开孔
P.C.B. HOLE DETAIL



电路图
SCHEMATEC



主要技术规格:

1. 额定值: 50mA DC12V
2. 接触电阻: 100mΩ
3. 操作力: 180gf±50gf
4. 行程: 0.20±0.1mm
5. 绝缘电阻: 100MΩ
6. 抗电强度: 250V 50HZ 1Min.
7. 寿命: 30000Cycles

材料:

- ①按钮: LCP耐温280 (黑色)
- ②盖板: 磷铜 (镀银)
- ③弹片: 不锈钢 (覆银)
- ④本体: LCP耐温280 (黑色)
- ⑤卡件: 磷铜 (镀银)

HADFU ELECTRONCS TECHNOLOGY CO.,LTD

COPYRIGHT RESERVED,PLEASE DO NOT COPY.

PART NAME		SWITCH		DRAWING		Y,C,ZHANG	DWG.No.	SBICL
PART NO.		TD-604XA		CHECK		G.C.Chen	REV.	A1
UNIT :	TOLERANCE OTHERWISE	UP TO 5	±0.2	ANGLE	APPROVAL	DATE	14-03-2013	
		ABOVE 5~30	±0.3				PAGE	
mm		ABOVE 30	±0.5	0°±3'	SCALE	2:1	1 OF 1	