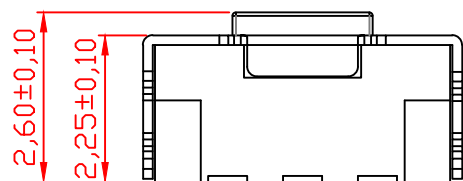
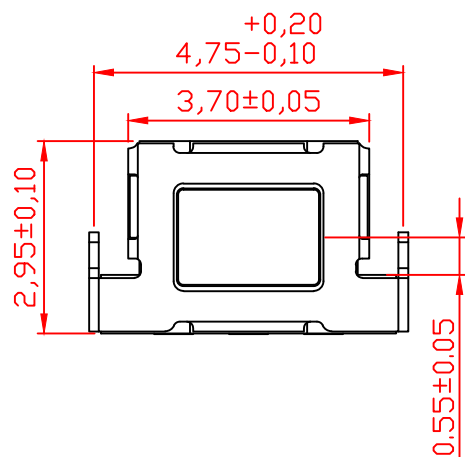
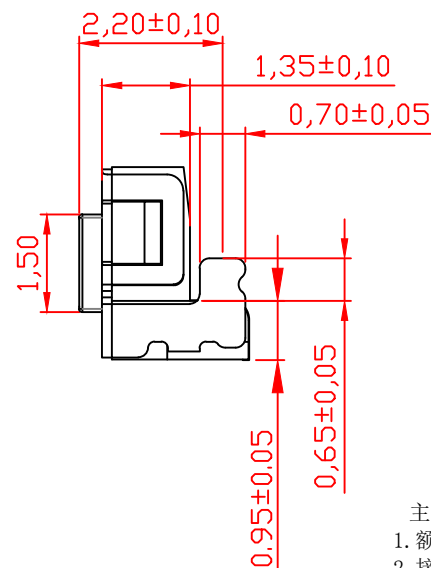
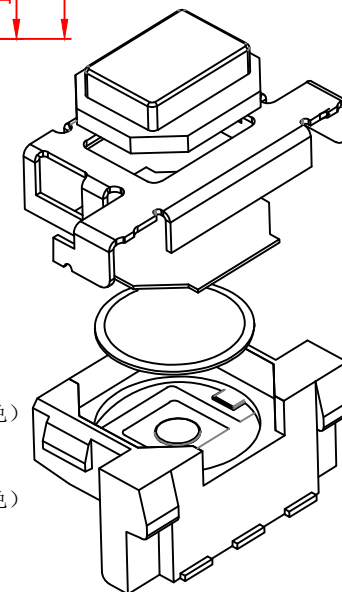
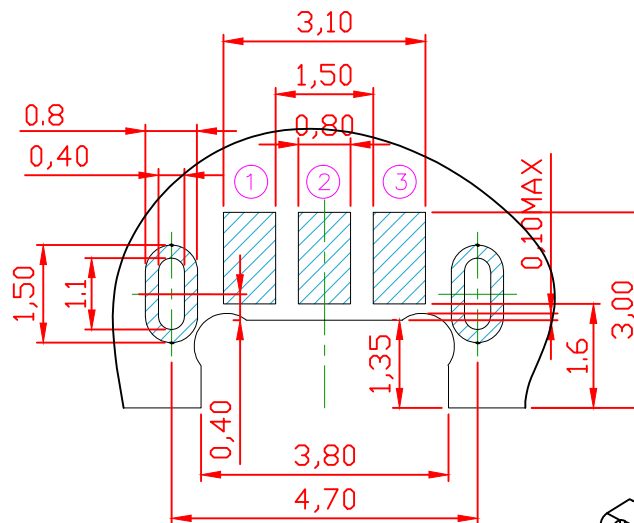
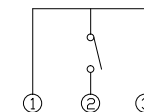


P. C. B MOUNTING PATTERN DIMENSION

the following soldering are recommended for reflow soldering

CIRCUIT DIAGRAM



主要技术规格:

1. 额定值: 50mA DC12V
2. 接触电阻: 100mΩ
3. 操作力: 160gf±30gf
4. 行程: 0.20±0.1mm
5. 绝缘电阻: 100MΩ
6. 抗电强度: 250V 50HZ 1Min.
7. 寿命: 100,000Cycles

材料:

- A 本体: LCP耐温280 (黑色)
- B 卡件: 磷铜 (镀银)
- C 弹片: 不锈钢 (覆银)
- D 按钮: LCP耐温280 (黑色)
- E 盖板: 磷铜 (镀银)
- F 防尘膜: PI (黄色)

HADFU ELECTRONCS TECHNOLOGY CO.,LTD

COPYRIGHT RESERVED,PLEASE DO NOT COPY.

PART NAME		SWITCH		DRAWING		Y,C,ZHANG		DWG.No.		SBICL	
PART NO.		TD-313-AB0G		CHECK		G.C.Chen		REV.		A1	
UNIT :	TOLERANCE OTHERWISE	UP TO 5 ABOVE 5~30 ABOVE 30 ANGLE	±0.2 ±0.3 ±0.5 ±3'	ANGLE	APPROVAL		DATE		2018-05-26		
					SCALE		PAGE		1 OF 1		