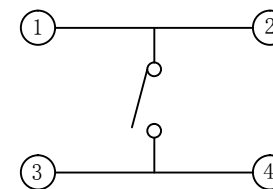
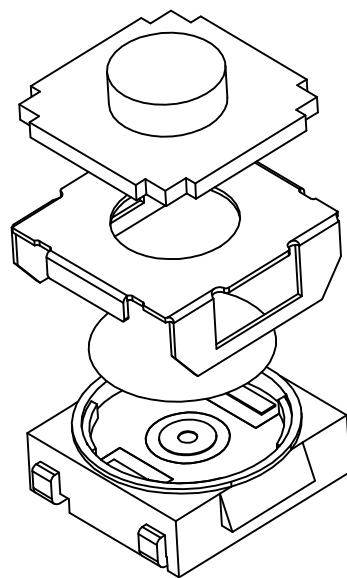
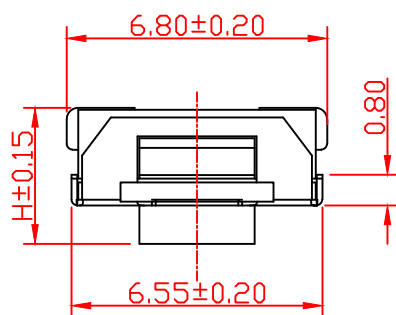
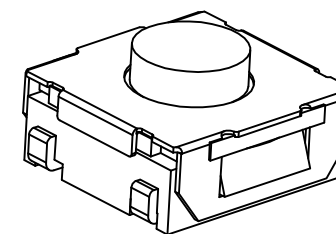


PCB. 焊接图



电路图



主要技术规格:

1. 额定值: 50mA DC12V
2. 接触电阻: 100mΩ
3. 操作力: 100/160/260gf±50gf
4. 行程: 0.25±0.1mm
5. 绝缘电阻: 100MΩ
6. 抗电强度: 250V 50HZ 1Min.
7. 寿命: 10万Cycles

材料:

- ①按钮: 硅胶 (蓝色) 耐温280
- ②盖板: 冷轧钢 (镀银)
- ③弹片: 不锈钢 (复银)
- ④本体: PPA (咖啡色)
- ⑤端子: 黄铜 (镀银)

H	
3.1	3.5
3.7	4.3
4.5	5.0
5.2	

HAOFU ELECTRONICS TECHNOLOGY CO.,LTD

COPYRIGHT RESERVED,PLEASE DO NOT COPY.

PART NAME		SWITCH		DRAWING		Y,C,ZHANG	DWG.No.	SBICL
PART NO.		TD-20XU-H		CHECK		G.C.Chen	REV.	A1
	UNIT :	TOLERANCE	UP TO 5	±0.2	ANGLE	APPROVAL	DATE	
	mm	OTHERWISE	ABOVE 5~30	±0.3				
			ABOVE 30	±0.5		2:1	1 OF 1	
			ANGLE	±3'				