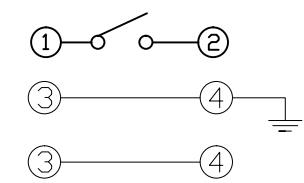
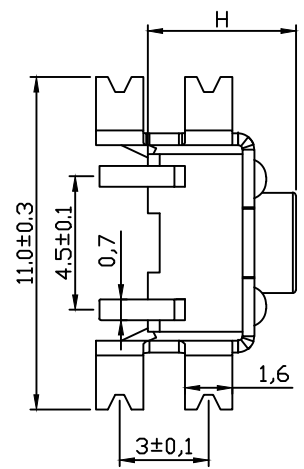
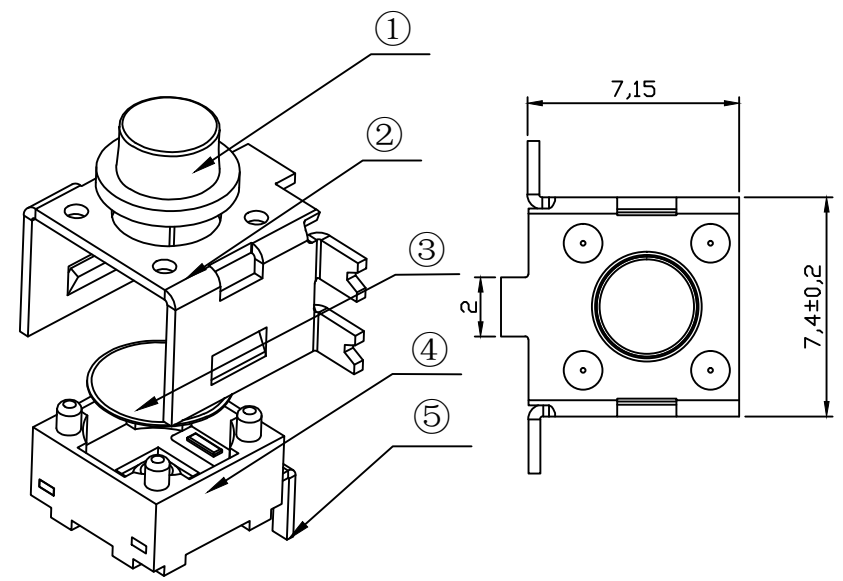
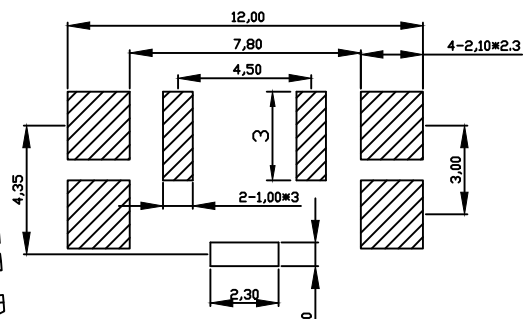
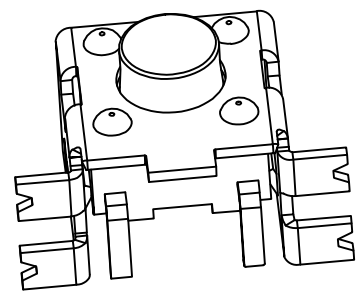
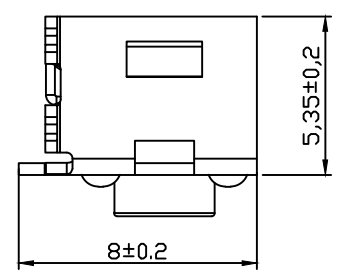


RoHS
Compliant



电路图
SCHEMATIC

15.0	J
13.0	I
9.5	H
9.0	G
8.5	F
7.5	E
6.5	D
6.0	C
5.0	B
4.3	A
高度H(mm)	X=



印制线路板开孔
P.C.B. HOLE DETAIL

主要技术规格:

1. 额定值: 50mA DC12V
2. 接触电阻: 100mΩ
3. 操作力: 180/250gf±50gf
4. 行程: 0.20±0.1mm
5. 绝缘电阻: 100MΩ
6. 抗电强度: 250V 50HZ 1Min.
7. 寿命: 100,000Cycles

材料:

- ①按钮: PPA耐温280 (黑色)
- ②支架: 冷轧钢 (镀锡)
- ③弹片: 不锈钢 (覆银)
- ④底座: PPA耐温280 (黑色)
- ⑤卡件: 黄铜 (镀银)

HAOFU ELECTRONCS TECHNOLOGY CO.,LTD

PART NAME		SWITCH		DRAWING	Y,C,ZHANG	DWG.No.	SBICL
PART NO.		TD-1045A-X		CHECK	G.C.Chen	REV.	A1
UNIT : mm	TOLERANCE	UP TO 5	±0.2	APPROVAL	SCALE	DATE	14-03-2013
	OTHERWISE	ABOVE 5~30	±0.3			PAGE	1 OF 1
		ABOVE 30	±0.5				
		ANGLE	±3				

COPYRIGHT RESERVED,PLEASE DO NOT COPY.