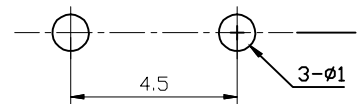
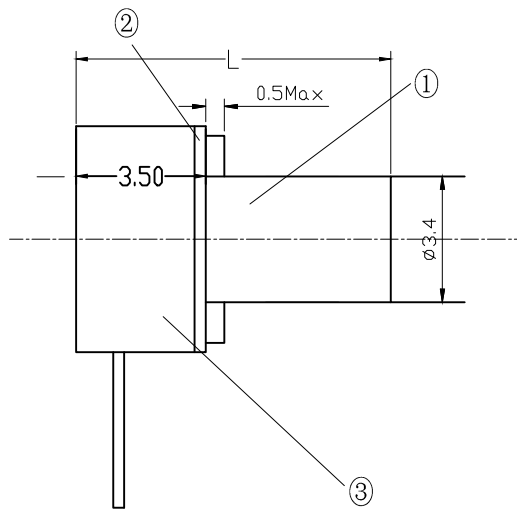
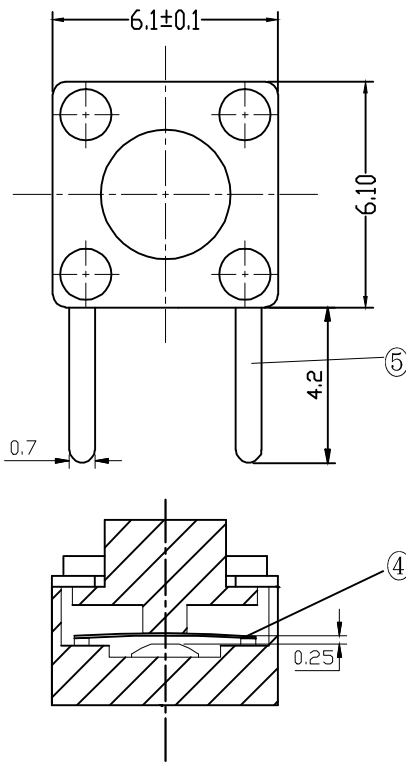


RoHS
Compliant

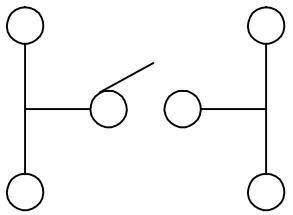


PCB LAYOUT

规格型号			
MODLE NO.	L=	MODLE NO.	L=
TC-0602	4.3	TC-0616	10.0
TC-0603	5.0	TC-0617	12.0
TC-0604	7.0	TC-0618	13.5
TC-0605	7.3	TC-0619	20.0
TC-0606	7.0	TC-0620	4.5
TC-0607	9.0	TC-0621	17.0
TC-0608	9.5	TC-0622	19.0
TC-0609	12.5	TC-0623	8.5
TC-0610	6.0	TC-0624	21.0
TC-0611	7.5	TC-0625	13.1
TC-0612	8.0	TC-0626	13.3
TC-0613	11.0		
TC-0614	13.0		
TC-0615	15.0		

- 主要技术规格:
1. 额定值: 50mA DC12V
 2. 接触电阻: 100mΩ
 3. 操作力: 260gf±50gf
 4. 行程: 0.25±0.1mm
 5. 绝缘电阻: 100MΩ
 6. 抗电强度: 250V 50HZ 1Min.
 7. 寿命: 10万Cycles

- 材料:
- ①按钮PPA (黑色)
 - ②盖板: 黄铜/不锈钢 (镀铜锡)
 - ③本体PPA (黑色)
 - ④弹片: 磷铜/不锈钢 (复银)
 - ⑤端子: 黄铜 (镀银)



HADFU ELECTRONCS TECHNOLOGY CO.,LTD

COPYRIGHT RESERVED,PLEASE DO NOT COPY.

PART NAME		CONNECTOR		DRAWING		Y,C,ZHANG		DWG.No.		SBICL	
PART NO.		TC-0606		CHECK		G.C.Chen		REV.		A1	
UNIT :	TOLERANCE OTHERWISE	UP TO 5 ±0.2	ABOVE 5~30 ±0.3	ANGLE	APPROVAL		DATE		14-03-2013		
					mm	OTHERWISE	ABOVE 30 ±0.5	±3'	SCALE	2:1	PAGE