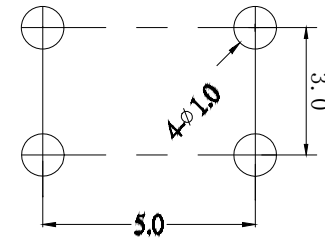
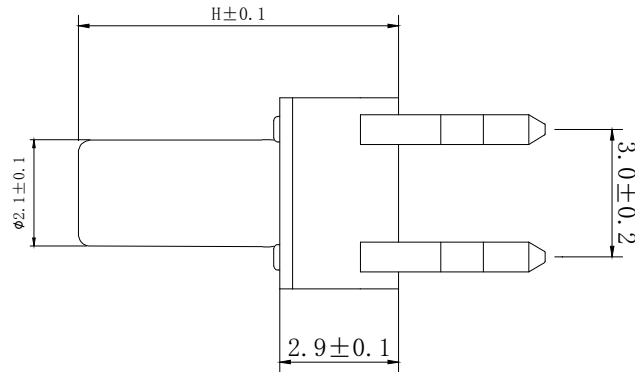
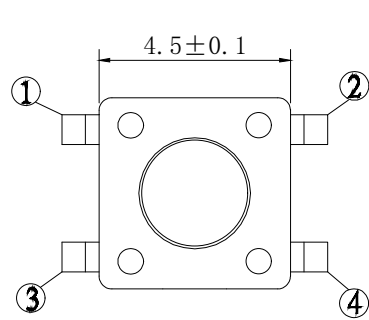


RoHS Compliant  
Halogen Free

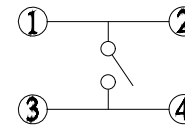
SYMBOL	REV.	REVISION	APPROVAL	DATE



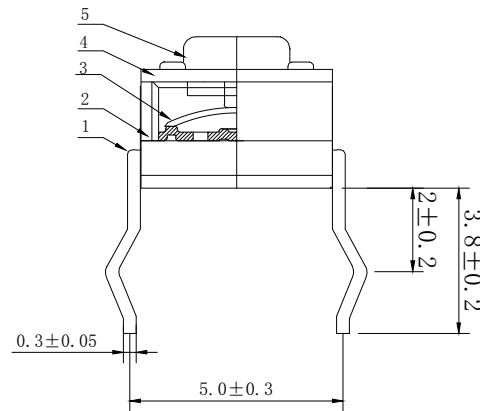
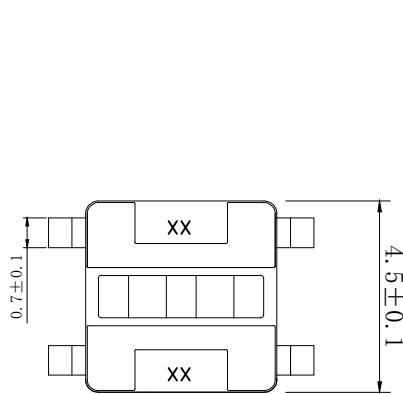
P.C.B LAYOUT

F	model
160gf±40gf	
260gf±50gf	✓
350gf±50gf	

H	model
H=3.5mm	
H=3.8mm	✓
H=4.0mm	
H=4.3mm	
H=4.5mm	
H=5.0mm	
H=5.5mm	
H=6.0mm	
H=7.0mm	
H=7.5mm	



CIRCUIT DIAGRAM



NO.	NAME	MATERIAL	QTY	REMARK
1	TERMINAL	C2680	1	Ag plating( 0.2 μm min )
2	CASE	PA9T	1	Black
3	CONTACT	SUS301	1	Ag plating( 0.2 μm min )
4	COVER	SPCC	1	Cu/Sn Plating( $\begin{matrix} Cu & 2 \mu m \text{ min} \\ Sn & 1 \mu m \text{ min} \end{matrix}$ )
5	STEM	PA9T	1	Black

SPECIFICATIONS	
Operating temperature rangs	-30° to +85°
Rating	DC 12V 50mA Max.
Contact Resistance	100mΩ Max
Dielectric strength	250V AC for 1min.
insulation resistance	100mΩ Min. 100V DC
Travel	0.2 ± 0.05mm
Operating Life (cycles)	100 000 CYCLES

**CIKI** 东莞市皓富电子科技有限公司  
DONGGUAN CITY HAOFU ELECTRONICS TECHNOLOGY CO., LTD

COPYRIGHT RESERVED, PLEASE DO NOT COPY.

PART NAME	TACT SWITCH	DRAWING	Z. L. Liang	DWG. No.	
PART NO.	TC-0010-H-F	CHECK	G. C. Chen	REV.	A0
UNIT : mm	TOLERANCE UNLESS OTHERWISE SPECIFIED	ANGLE	G. C. Chen	DATE	
	X. X ± 0.3 X. XX ± 0.2 X. XXX ± 0.1	±2°	SCALE	PAGE	1 OF 1