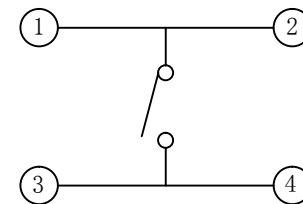
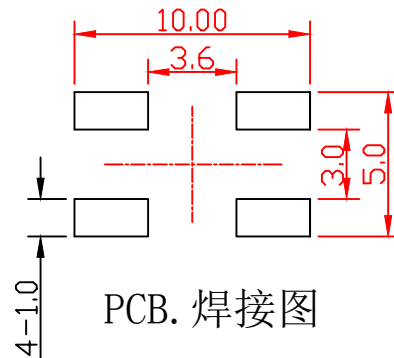
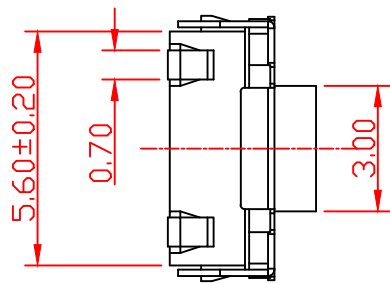
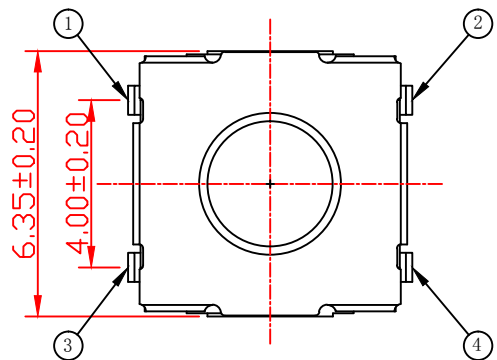
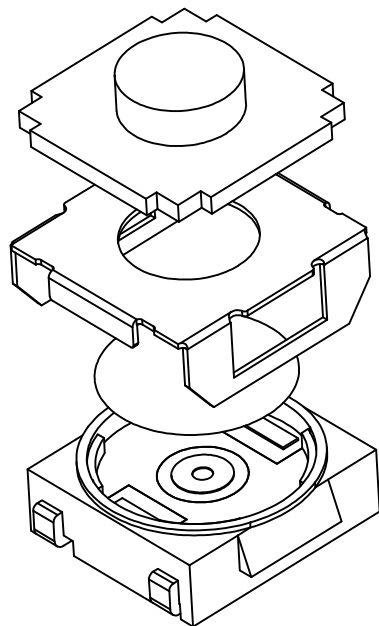
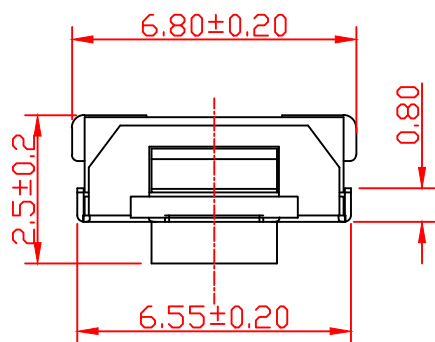
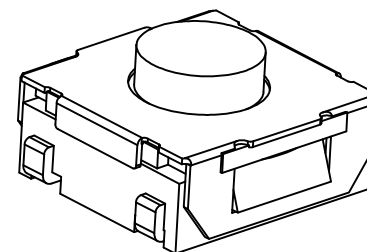


RoHS Compliant  
Halogen Free

SYMBOL	REV.	REVISION	APPROVAL	DATE



电路图



主要技术规格:

1. 额定值: 50mA DC12V
2. 接触电阻: 100mΩ
3. 操作力: 100/160/260gf±50gf
4. 行程: 0.25±0.1mm
5. 绝缘电阻: 100MΩ
6. 抗电强度: 250V 50HZ 1Min.
7. 寿命: 10万Cycles

材料:

- ①按钮: PPA (红色)
- ②盖板: 冷轧钢 (镀银)
- ③弹片: 不锈钢 (复银)
- ④本体: PPA (咖啡色)
- ⑤端子: 黄铜 (镀银)

**CIKI** 东莞市皓富电子科技有限公司  
DONGGUAN CITY HAOFU ELECTRONCS TECHNOLOGY CO., LTD

COPYRIGHT RESERVED, PLEASE DO NOT COPY.

PART NAME		TACT SWITCH		DRAWING		Z. L. Liang		DWG. No.		
PART NO.		TD-1125U-2.5		CHECK		G. C. Chen		REV.		A0
	UNIT :	TOLERANCE UNLESS	X. X ± 0.3	ANGLE	APPROVAL	G. C. Chen	DATE			
		OTHERWISE SPECIFIED	X. XX ± 0.2 X. XXX ± 0.1							±2°