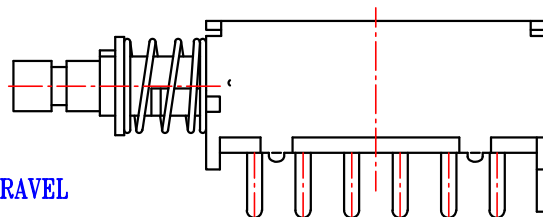
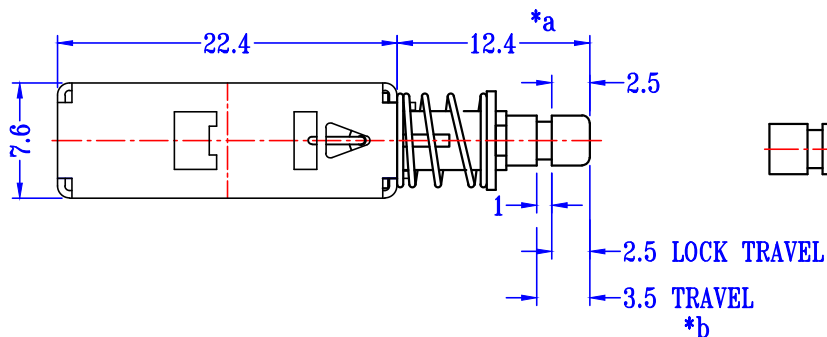
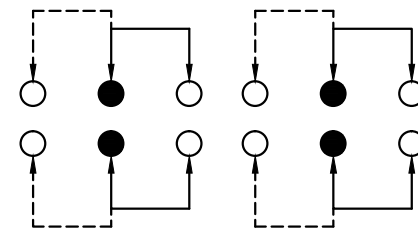




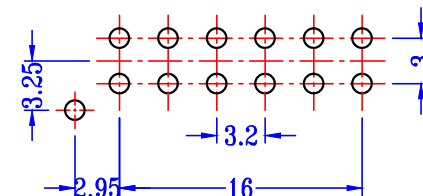
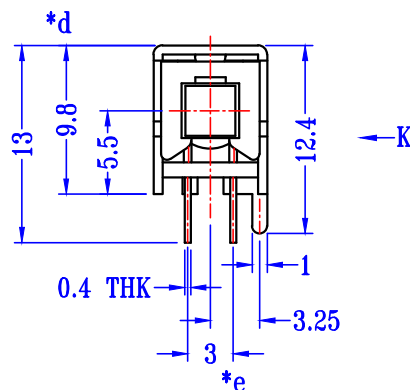
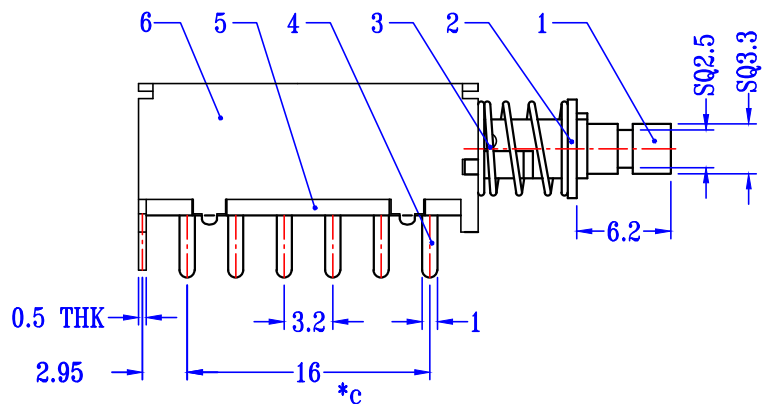
CAD FILE:



VIEW K



SCHEMATIC (NON-SHORTING)



P.C.B LAYOUT  
BOTTOM VIEW

注：“\*”表示关键尺寸(5个).

9	SPRING PLATE	PBS STRIP	1	NATURAL
8	CAM STICK	BRASS WIRE	1	Ni PLATED
7	CONTACT CLIP	PBS STRIP	4	Ag PLATED
6	FRAME	STEEL STRIP	1	Ni PLATED
5	BASE	PHENOLIC RESIN	1	NATURAL
4	TERMINAL	BRASS STRIP	12	Ag PLATED
3	SPRING	STEEL WIRE	1	Ni PLATED
2	BLOCK	STEEL STRIP	1	Ni PLATED
1	KNOB	POM	1	BLACK
NO.	PARTS	MATERIALS	Q'TY	FINISH

TOLERANCE UNLESS SPECIFIED				
WITHIN 1.5mm : ±0.1mm	A	2012-12-06	初版	卢业创
OVER 1.5mm : ±0.2mm	ISSUE	DATE	DESCRIPTIONS OF REVISION	APPD.
TITLE : PUSH SWITCH		UNIT : mm	DRWG NO.: HF-DR-PS42F42-00	
MODEL: PS-42F42		SCALE: 2:1	DWN.	余丽珍 2012-12-06
东莞市皓富电子科技有限公司 DONGGUAN HAOFU ELECTRONIC TECHNOLOGY CO.,LTD.		CHK'D	卢业创	2012-12-06
		APPD.		