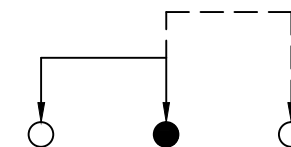
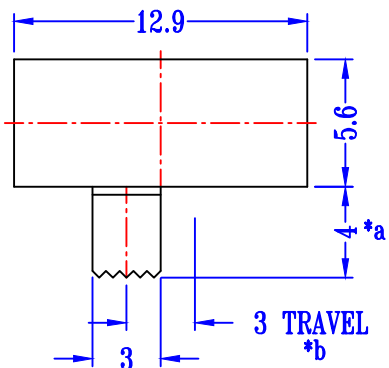
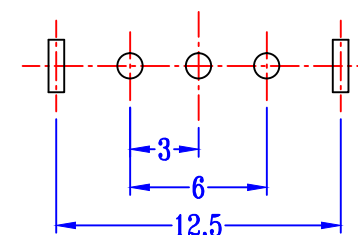
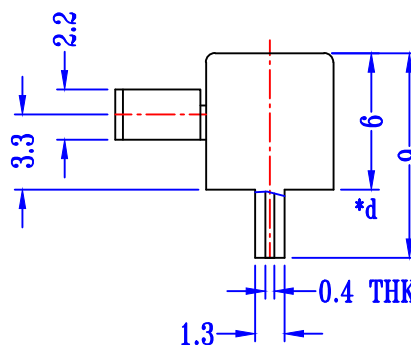
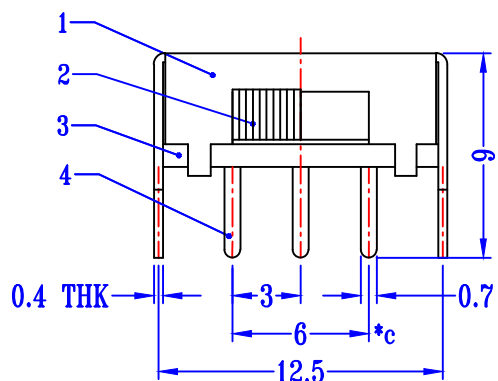


CAD FILE:



SCHEMATIC (NON-SHORTING)



P.C.B LAYOUT
BOTTOM VIEW

注：“*”表示关键尺寸(4个).

NO.	PARTS	MATERIALS	Q'TY	FINISH	TOLERANCE UNLESS SPECIFIED					
8										
7										
6	SPRING	STEEL WIRE	1	NATURAL	WITHIN 1.5mm : ±0.1mm	A	2012-9-3	初版	卢业创	
5	CONTACT	BRASS STRIP	1	Ag PLATED	OVER 1.5mm : ±0.2mm	ISSUE	DATE	DESCRIPTIONS OF REVISION	APPD.	
4	TERMINAL	BRASS STRIP	3	Ag PLATED	TITLE : HORIZONTAL SLIDE SWITCH			UNIT : mm	DRWG NO.: HF-DR-SK12F14G4-00	
3	BASE	PHENOLIC RESIN	1	NATURAL	MODEL: SK12F14G4			SCALE: 3:1	DWN.	余丽珍
2	KNOB	POM	1	BLACK	东莞市皓富电子科技有限公司 DONGGUANI HAOFU ELECTRONIC TECHNOLOGY CO.,LTD.			CHK'D	卢业创	2012-9-3
1	FRAME	STEEL STRIP	1	Ni PLATED				APPD.		