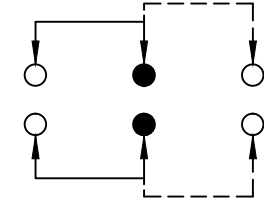
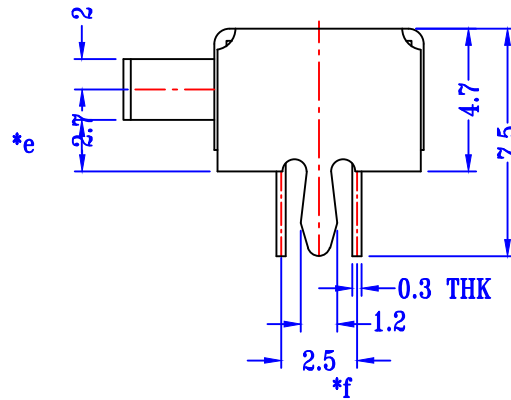
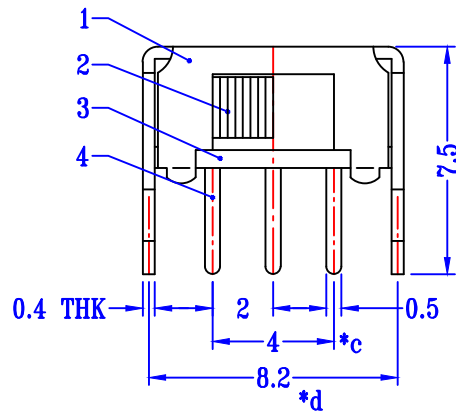
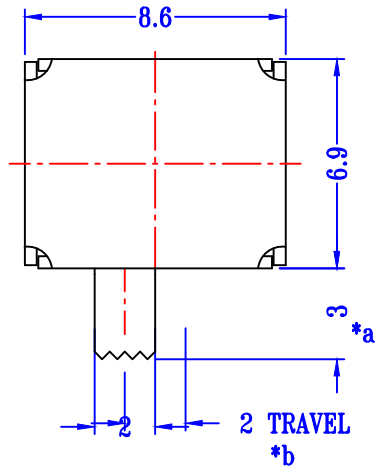
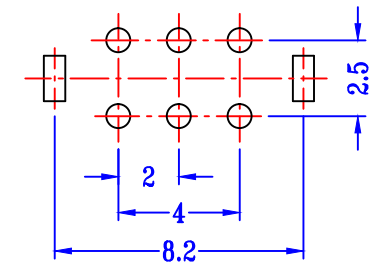




CAD FILE:



SCHEMATIC (NON-SHORTING)



P.C.B LAYOUT
BOTTOM VIEW

注：“*”表示关键尺寸(6个)。

NO.	PARTS	MATERIALS	Q'TY	FINISH	TOLERANCE UNLESS SPECIFIED				
8									
7									
6	SPRING PLATE	PBS STRIP	1	NATURAL	WITHIN 1.5mm : ±0.1mm	A	2012-10-12	初版	卢业创
5	CONTACT CLIP	PBS STRIP	2	Ag PLATED	OVER 1.5mm : ±0.2mm	ISSUE	DATE	DESCRIPTIONS OF REVISION	APPD.
4	TERMINAL	BRASS STRIP	6	Ag PLATED	TITLE : HORIZONTAL SLIDE SWITCH		UNIT : mm	NO.: HF-DR-SK22D07G3-00	
3	BASE	PHENOLIC RESIN	1	NATURAL	MODEL: SK22D07G3		SCALE: 4:1	DWN.	余丽珍 2012-10-12
2	KNOB	POM	1	BLACK	东莞市皓富电子科技有限公司 DONGGUAN HAOFU ELECTRONIC TECHNOLOGY CO.,LTD.			CHK'D	卢业创 2012-10-12
1	FRAME	STEEL STRIP	1	Ni PLATED				APPD.	