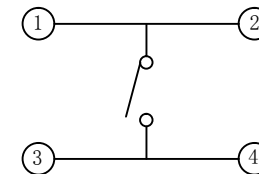
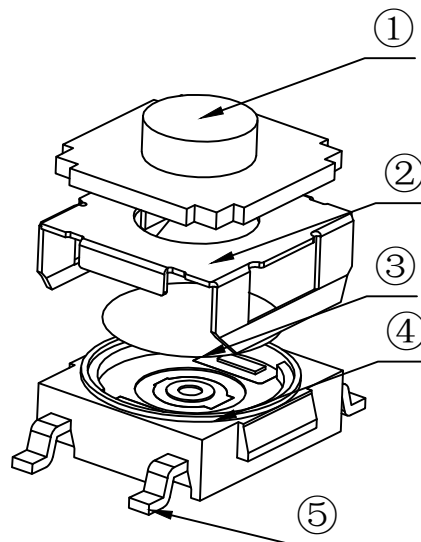
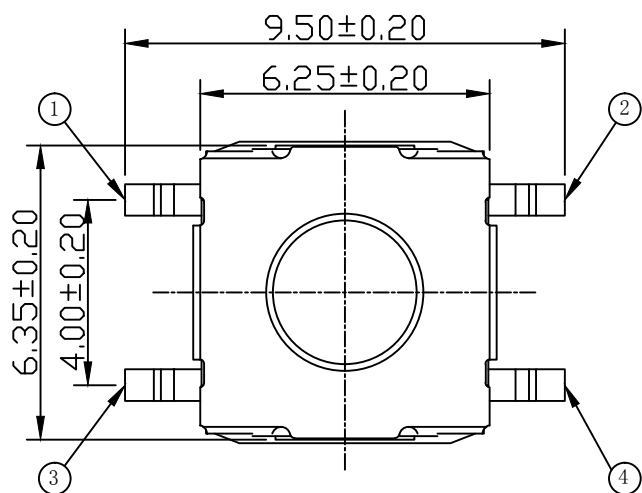
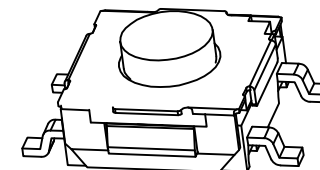


PCB. 焊接图



电路图



H	
3.1	3.5
4.3	4.5
5.0	

主要技术规格:

1. 额定值: 50mA DC12V
2. 接触电阻: 100mΩ
3. 操作力: 100/160/260gf ± 50gf
4. 行程: 0.25 ± 0.1mm
5. 绝缘电阻: 100MΩ
6. 抗电强度: 250V 50HZ 1Min.
7. 寿命: 50万Cycles

材料:

- ①按钮: 硅胶 (蓝色) 耐温280
- ②盖板: 冷轧钢 (镀银)
- ③弹片: 不锈钢 (复银)
- ④本体: PPA (咖啡色)
- ⑤端子: 黄铜 (镀银)

HAOFU ELECTRONCS TECHNOLOGY CO.,LTD

COPYRIGHT RESERVED,PLEASE DO NOT COPY.

PART NAME		SWITCH		DRAWING		Y,C,ZHANG		DWG.No.		SBICL	
PART NO.		TD-20XA-H		CHECK		G.C.Chen		REV.		A1	
UNIT :	TOLERANCE OTHERWISE	UP TO 5	±0.2	ANGLE	APPROVAL	DATE					
		ABOVE 5~30	±0.3								
mm		ABOVE 30	±0.5	0°±3'	SCALE	2:1		PAGE		1 OF 1	
		ANGLE	±3'								