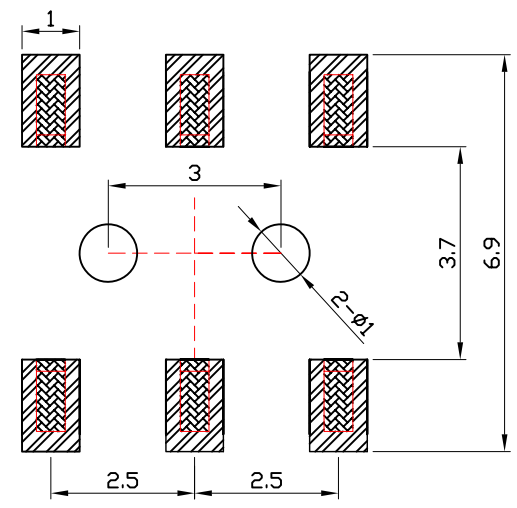
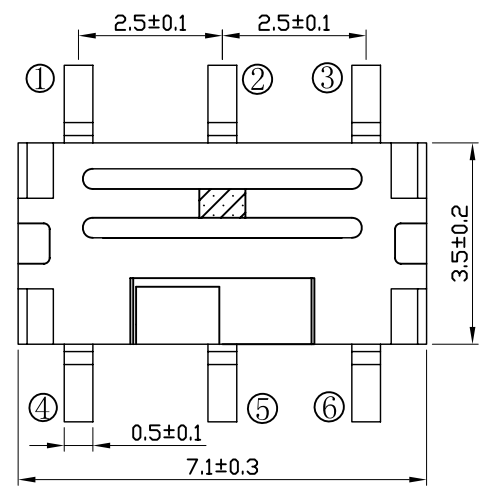


电路图 (CIRCUIT DIAGRAM)



安装图 (PCB LAYOUT PLAN)

LENGTH	TOLERANCE
L < 5	
5 ≤ L ≤ 10	
10 < L ≤ 15	
15 < L	

HADFU ELECTRONICS TECHNOLOGY CO.,LTD

COPYRIGHT RESERVED,PLEASE DO NOT COPY.

PART NAME		CONNECTOR		DRAWING	Y,C,ZHANG	DWG.No.	SBICL
PART NO.		MSS-22C01G2		CHECK	G.C.Chen	REV.	A1
UNIT : mm	TOLERANCE	UP TO 5	±0.2	APPROVAL	SCALE	DATE	14-03-2013
	OTHERWISE	ABOVE 5~30	±0.3			PAGE	1 OF 1
		ABOVE 30	±0.5				
		ANGLE	±3°				