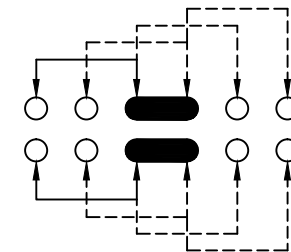
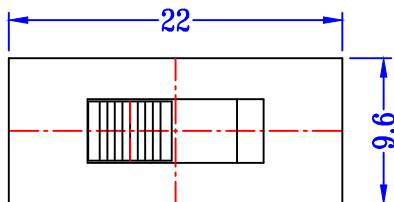
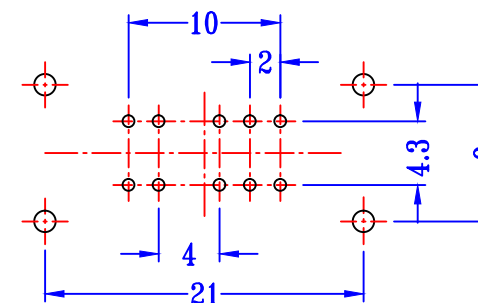
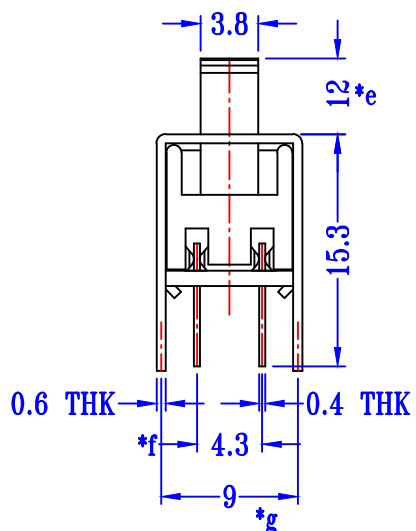
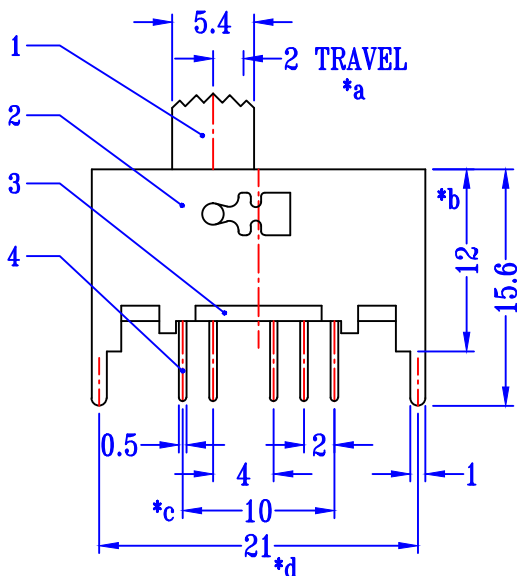


CAD FILE:



SCHEMATIC (SHORTING)



P.C.B LAYOUT
BOTTOM VIEW

注：“*”表示关键尺寸(7个).

NO.	PARTS	MATERIALS	Q'TY	FINISH	TOLERANCE					
8					UNLESS SPECIFIED					
7	STEEL BALL	STEEL	2	NATURAL	WITHIN 1.5mm : ±0.1mm		A	2012-10-5	初版	
6	SPRING	STEEL WIRE	1	NATURAL	OVER 1.5mm : ±0.2mm		ISSUE	DATE	DESCRIPTIONS OF REVISION	
5	CONTACT CLIP	PBS STRIP	2	Ag PLATED	TITLE : VERTICAL SLIDE SWITCH		UNIT : mm		DRWG NO.: HF-DR-SS24D01G5-00	
4	TERMINAL	BRASS STRIP	10	Ag PLATED	MODEL: SS-24D01G12		SCALE: 2:1		DWN.	余丽珍
3	BASE	PHENOLIC RESIN	1	NATURAL	东莞市皓富电子科技有限公司 DONGGUAN HAOFU ELECTRONIC TECHNOLOGY CO.,LTD.		APPD.			
2	FRAME	STEEL STRIP	1	Ni PLATED						
1	KNOB	POM	1	BLACK						
NO.	PARTS	MATERIALS	Q'TY	FINISH						