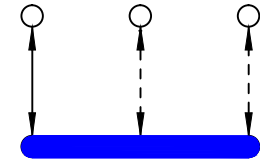
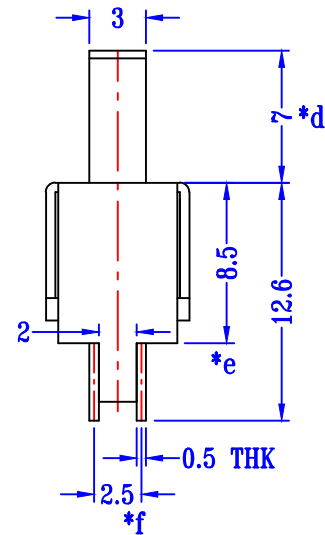
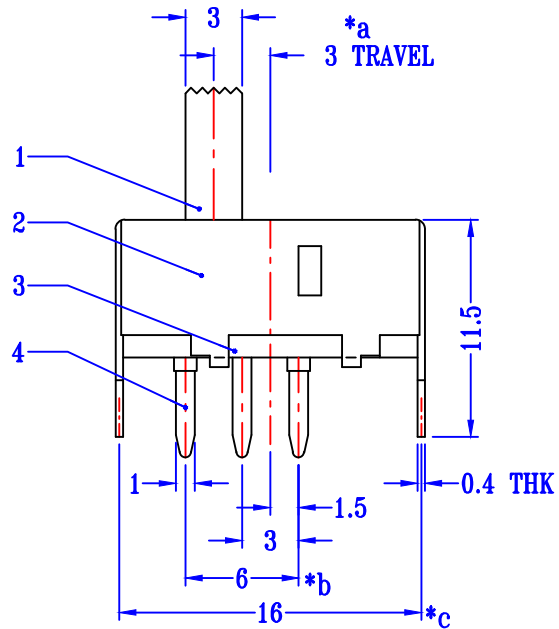
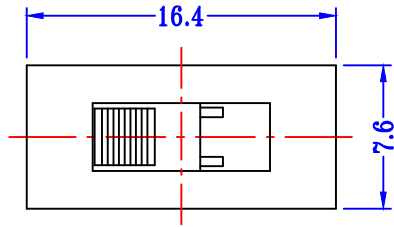
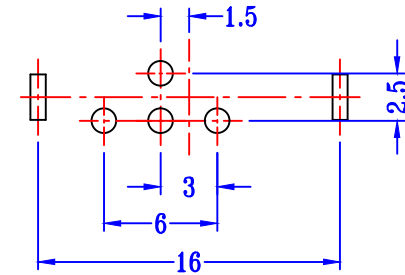




CAD FILE:



SCHMATIC (SHORTING)



P.C.B LAYOUT
BOTTOM VIEW

注：“*”表示关键尺寸(6个).

NO.	PARTS	MATERIALS	Q'TY	FINISH	TOLERANCE					
8					UNLESS SPECIFIED					
7	STEEL BALL	STEEL	2	NATURAL	WITHIN 1.5mm : ±0.1mm		A	2012-11-20	初版	卢业创
6	SPRING	STEEL WIRE	2	NATURAL	OVER 1.5mm : ±0.2mm		ISSUE	DATE	DESCRIPTIONS OF REVISION	
5	CONTACT	BRASS STRIP	1	Ag PLATED	TITLE : VERTICAL SLIDE SWITCH		UNIT : mm		DRWG NO.: HF-DR-SS13F03G7-00	
4	TERMINAL	BRASS STRIP	4	Ag PLATED	MODEL: SS-13F03G7		SCALE: 5:2		DWN.	余丽珍
3	BASE	PHENOLIC RESIN	1	BLACK	东莞市皓富电子科技有限公司 DONGGUAN HAOFU ELECTRONIC TECHNOLOGY CO.,LTD.				2012-11-20	
2	FRAME	STEEL STRIP	1	Ni PLATED					CHK'D	卢业创
1	KNOB	POM	1	BLACK					APPD.	APPD.