

RoHS Compliant

SYMBOL	REV.	REVISION	APPROVAL	DATE

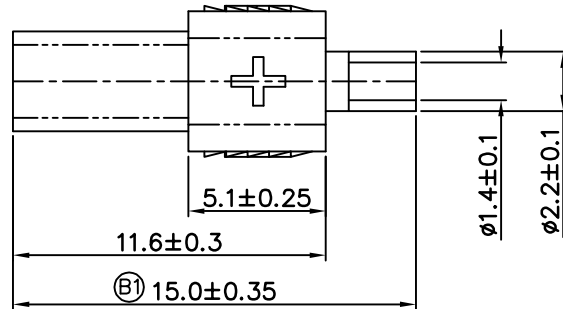
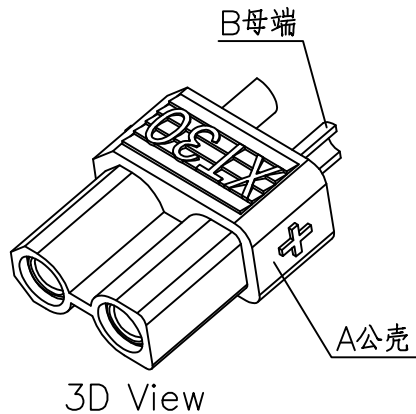
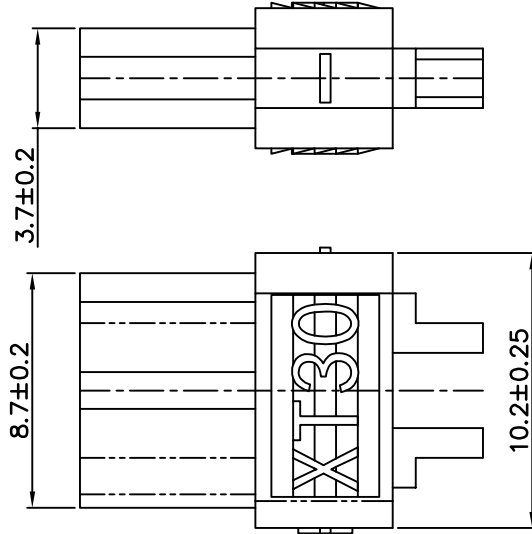
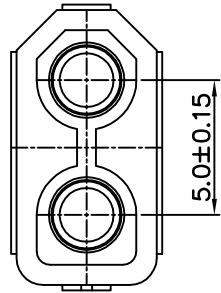
Specifications:

- 1) Material:
Housing: PA66 UL94V-0, Yellow&Black
Terminal: Brass, Surface Plating Processing
- 2) Current rating(额定电流): 15A DC.
- 3) Voltage rating(额定电压): 500V DC.
- 4) Instantaneous current(瞬时电流): 30A DC.
- 5) Contact resistance(接触电阻): 20mΩ Max
- 6) Insulation resistance(绝缘电阻): 800MΩ Min.
- 7) Temperature range(环境温度): -25~+105°.

Ordering code:

*** * * * _ * _ * _ * _ * _ *
1 2 3 4 5 6 7 8 9

- 1) Series No.
- 2) H: HSG/W: WAF/T: TER./P: PRO.
- 3) M: Male/F: Female/R: 90°/V: 180°
- 4) S: SMT/D: DIP/P: PIP
- 5) nP: Circuit
- 6) Material&Color:
66: PA66/PT: PBT/LP: LCP/9T: PA9T
N: Natural/W: White/BK: Black
BL: Blue/R: Red/Y: Yellow/G: Green
- 7) B: Brass/PB: Phosphorous bronz
T: Tin/G: Gold/S: Silvering/P: Passivation
- 8) B: Bag/T- Tube/R: Reel
- 9) E: EXP./W/Welding/C: Crimping/O: Other



B	Female Terminal	XT301TF-B*-**	2PCS	Brass		
A	Male Shell	XT301HM-2P-66***-**	1PCS	PA66	UL94V-0	
Item	Component	Part NO.	Q'ty	Material	Finished	Remarks

CIKI 东莞市皓富电子科技有限公司
DONGGUAN HAOFU ELECTRONIC TECHNOLOGY CO., LTD

COPYRIGHT RESERVED, PLEASE DO NOT COPY.

PART NAME		CONNECTOR		DRAWING	Z.L.Liang	DWG.No.	
PART NO.		XT-30 母头		CHECK	G.C.Chen	REV.	A0
UNIT: mm	TOLERANCE UNLESS OTHERWISE SPECIFIED	X.X ± 0.3	ANGLE	APPROVAL	G.C.Chen	DATE	
		X.XX ± 0.2		SCALE	1:1	PAGE	1 OF 1
		X.XXX ± 0.1	±2°				