

RoHS Compliant

SYMBOL	REV.	REVISION	APPROVAL	DATE

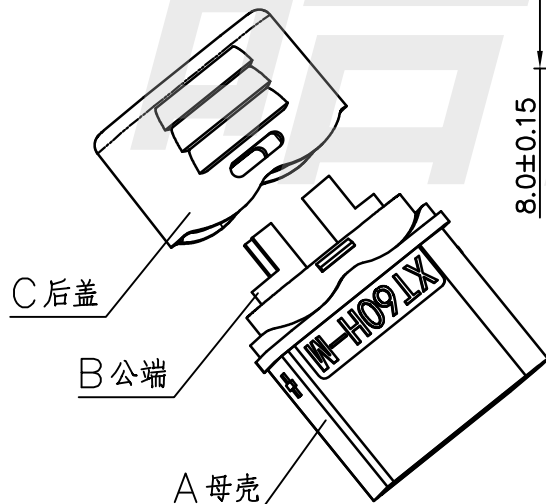
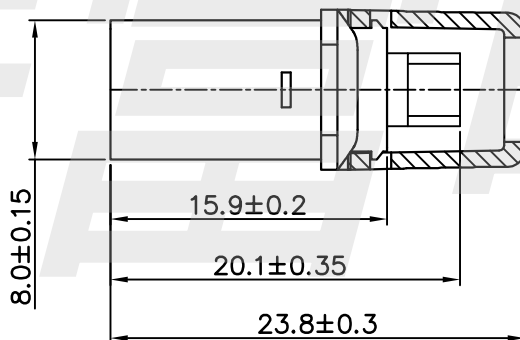
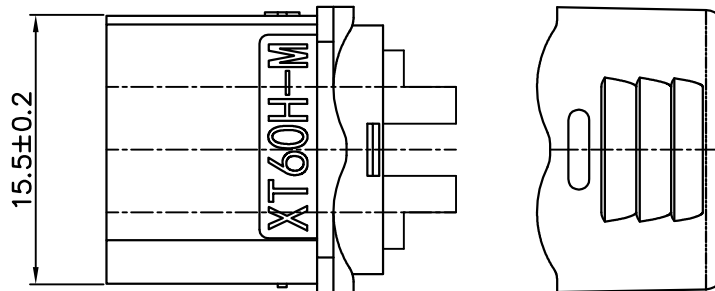
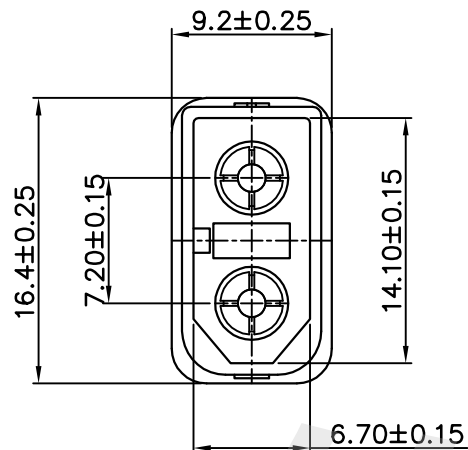
Specifications:

- 1) Material:
Housing: PA66 UL94V-0, Yellow&Black
Terminal: Copper Alloy Electroplating
- 2) Current rating(额定电流): 30A DC.
- 3) Voltage rating(额定电压): 500V DC.
- 4) Instantaneous current(瞬时电流): 60A DC.
- 5) Contact resistance(接触电阻): 20mΩ Max
- 6) Insulation resistance(绝缘电阻): 1000MΩ Min.
- 7) Temperature range(环境温度): -25°~+105°.
- 8) Applicable Wire(适应线规): AWG10#~18#

Ordering code:

*** * * * * - * - * - * - * - * - *
1 2 3 4 5 6 7 8 9

- 1) Series No.
- 2) H: HSG/W: WAF/T: TER./P: PRO.
- 3) M: Male/F: Female/R: 90°/V: 180°
- 4) S: SMT/D: DIP/P: PIP
- 5) nP: Circuit
- 6) Material&Color:
66: PA66/PT: PBT/LP: LCP/9T: PA9T
N: Natural/W: White/BK: Black
BL: Blue/R: Red/Y: Yellow/G: Green
- 7) B: Brass/PB: Phosphorous bronz
M: Raw/H: Harden/G: Gold/N: Ni
- 8) B: Bag/T- Tube/R: Reel
- 9) E: EXP./O: Other



Item	Component	Part NO.	Q'ty	Material	Finished	Remarks
C	Back cover	XT60H-C-01	1PCS	PA66	UL94V-0	
B	Male terminal	XT60HTM-B*-BG-01	2PCS	Copper Alloy	Plated	
A	Female shell	XT60HHF-2P-01	1PCS	PA66	UL94V-0	

CIKI 东莞市皓富电子科技有限公司
DONGGUAN HAOFU ELECTRONIC TECHNOLOGY CO., LTD

COPYRIGHT RESERVED, PLEASE DO NOT COPY.

PART NAME	CONNECTOR		DRAWING	Z.L.Liang	DWG.No.
PART NO.	XT-60 公座		CHECK	G.C.Chen	REV. A0
UNIT: mm	TOLERANCE UNLESS OTHERWISE SPECIFIED	X.X ± 0.3 X.XX ± 0.2 X.XXX ± 0.1	ANGLE	G.C.Chen	DATE
			±2°	SCALE	PAGE
				1:1	1 OF 1