

RoHS Compliant

SYMBOL	REV.	REVISION	APPROVAL	DATE

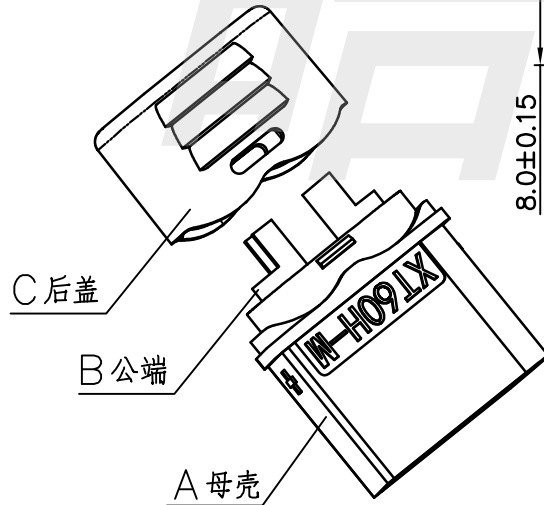
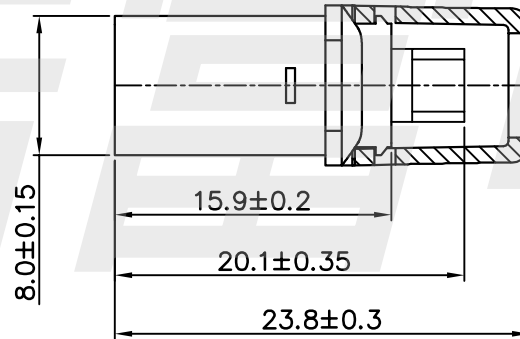
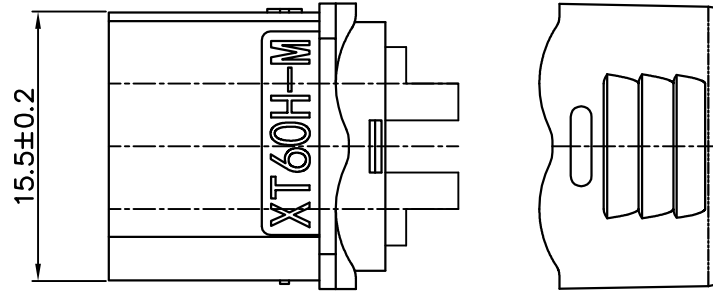
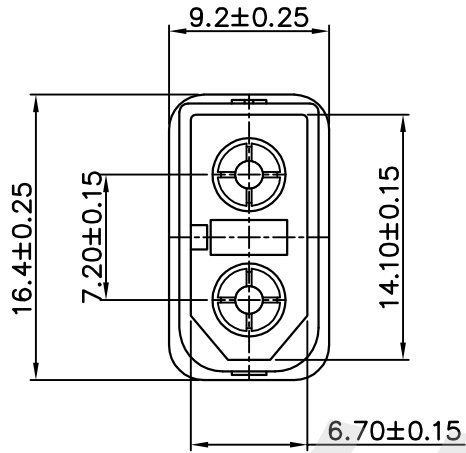
Specifications:

- 1) Material:
Housing: PA66 UL94V-0, Yellow&Black
Terminal: Copper Alloy Electroplating
- 2) Current rating(额定电流): 30A DC.
- 3) Voltage rating(额定电压): 500V DC.
- 4) Instantaneous current(瞬时电流): 60A DC.
- 5) Contact resistance(接触电阻): 20mΩ Max
- 6) Insulation resistance(绝缘电阻): 1000MΩ Min.
- 7) Temperature range(环境温度): -25~+105°.
- 8) Applicable Wire(适应线规): AWG10#~18#

Ordering code:

*** * * * _ * _ * _ * _ * _ *
1 2 3 4 5 6 7 8 9

- 1) Series No.
- 2) H: HSG/W: WAF/T: TER./P: PRO.
- 3) M: Male/F: Female/R: 90°/V: 180°
- 4) S: SMT/D: DIP/P: PIP
- 5) nP: Circuit
- 6) Material&Color:
66: PA66/PT: PBT/LP: LCP/9T: PA9T
N: Natural/W: White/BK: Black
BL: Blue/R: Red/Y: Yellow/G: Green
- 7) B: Brass/PB: Phosphorous bronz
M: Raw/H: Harden/G: Gold/N: Ni
- 8) B: Bag/T- Tube/R: Reel
- 9) E: EXP./O: Other



C	Back cover	XT60H-C-01	1PCS	PA66	UL94V-0	
B	Male terminal	XT60HTM-B*-BG-01	2PCS	Copper Alloy	Plated	
A	Female shell	XT60HHF-2P-01	1PCS	PA66	UL94V-0	
Item	Component	Part NO.	Q'ty	Material	Finished	Remarks

CIKI 东莞市皓富电子科技有限公司
DONGGUAN HAOFU ELECTRONIC TECHNOLOGY CO., LTD

COPYRIGHT RESERVED, PLEASE DO NOT COPY.

PART NAME	CONNECTOR		DRAWING	Z.L.Liang	DWG.No.	
PART NO.	XT60H-M		CHECK	G.C.Chen	REV.	A0
UNIT:	TOLERANCE UNLESS OTHERWISE SPECIFIED	X.X ± 0.3 X.XX ± 0.2 X.XXX ± 0.1	ANGLE	APPROVAL	G.C.Chen	DATE
mm			±2° <td>SCALE</td> <td>1:1 <td>PAGE</td> </td>	SCALE	1:1 <td>PAGE</td>	PAGE
						1 OF 1