

RoHS Compliant

SYMBOL	REV.	REVISION	APPROVAL	DATE

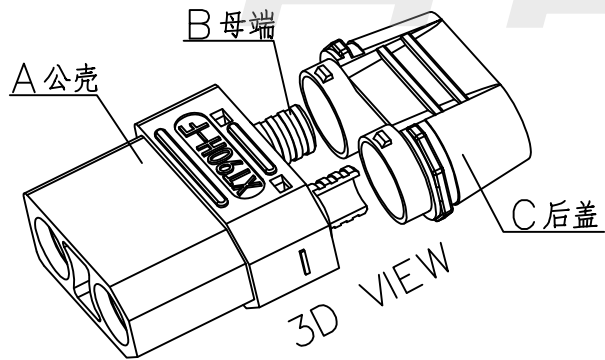
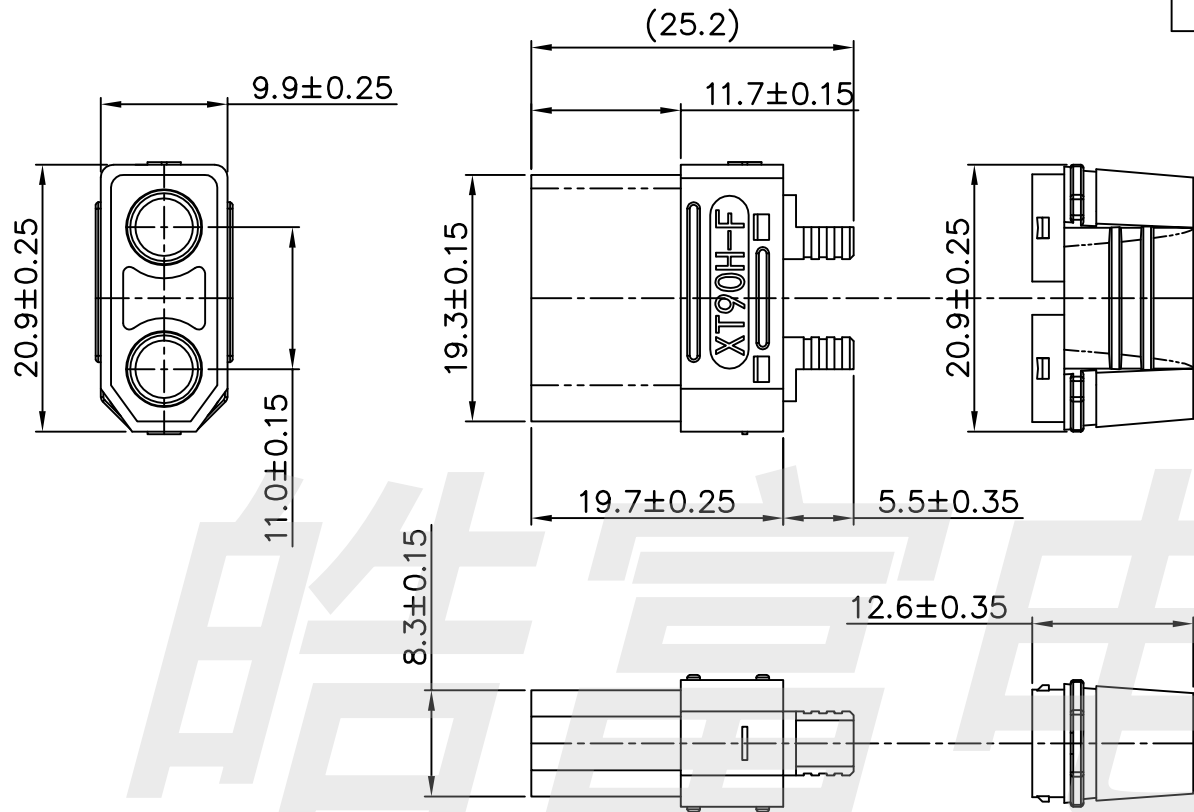
Specifications:

- 1) Material:
Housing: PA66 UL94V-0, Yellow&Black.
Terminal: Brass, Plated Finish.
- 2) Current rating (额定电流): 40A DC.
- 3) Voltage rating (额定电压): 500V DC.
- 4) Instantaneous current (瞬时电流): 90A DC.
- 5) Contact resistance (接触电阻): 20mΩ Max
- 6) Insulation resistance (绝缘电阻): 1000MΩ Min.
- 7) Temperature range (环境温度): -25°~+105°.

Ordering code:

*** * * * - * - * - * - * - *
1 2 3 4 5 6 7 8 9

- 1) Series No.
- 2) H: HSG/W: WAF/T: TER./P: PRO.
- 3) M: Male/F: Female/R: 90°/V: 180°
- 4) S: SMT/D: DIP/P: PIP
- 5) nP: Circuit
- 6) Material&Color:
66: PA66/PT: PBT/LP: LCP/9T: PA9T
N: Natural/W: White/BK: Black
BL: Blue/R: Red/Y: Yellow/G: Green
- 7) B: Brass/PB: Phosphorous bronz
T: Tin/G: Gold/S: Silvering/P: Passivation
- 8) B: Bag/T- Tube/R: Reel
- 9) E: EXP./W/Welding/C: Crimping/O: Other



Item	Component	Part NO.	Q'ty	Material	Finished	Remarks
C	Back cover	XT902HC-2P-66	1PCS	PA66	UL94V-0	
B	Female Terminal	XT901TF-B*-B-W	2PCS	Copper Alloy		
A	Male Shell	XT902HM-2P-66*-**	1PCS	PA66	UL94V-0	

CIKI 东莞市皓富电子科技有限公司
DONGGUAN HAOFU ELECTRONIC TECHNOLOGY CO., LTD

COPYRIGHT RESERVED, PLEASE DO NOT COPY.

PART NAME		CONNECTOR		DRAWING	Z.L.Liang	DWG.No.
PART NO.		XT-90 母座		CHECK	G.C.Chen	REV. A0
UNIT: mm	TOLERANCE UNLESS OTHERWISE SPECIFIED	X.X ± 0.3	ANGLE	APPROVAL	G.C.Chen	DATE
		X.XX ± 0.2	±2°	SCALE	1:1	PAGE
		X.XXX ± 0.1				1 OF 1