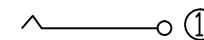
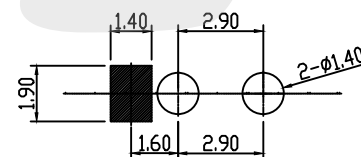
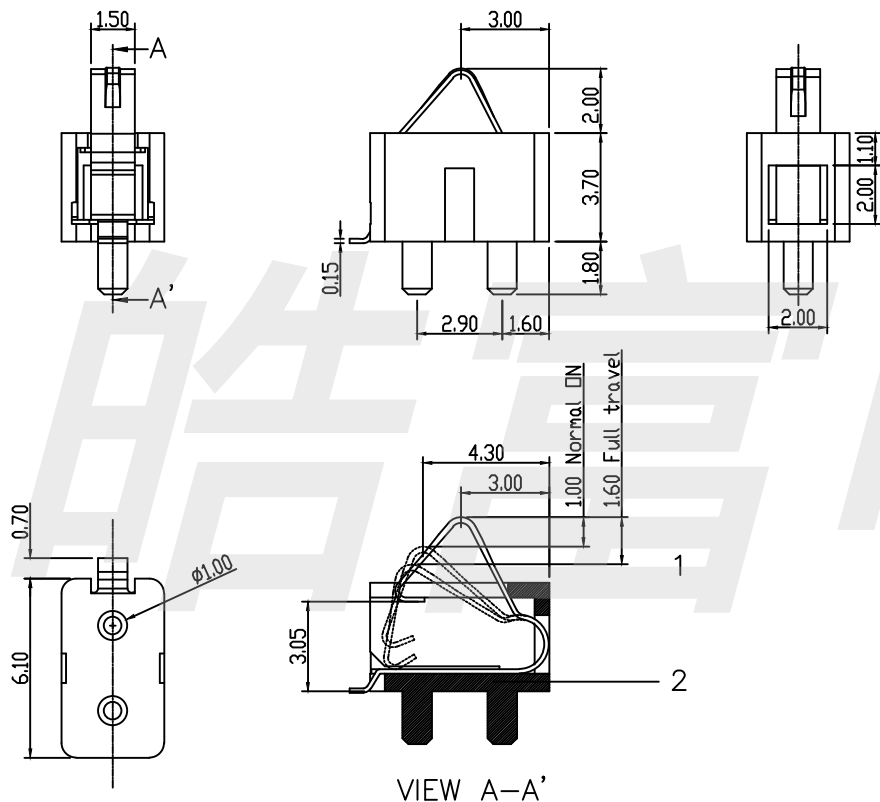


RoHS
Compliant

SYMBOL	REVISION	APPROVAL	DATE

SPECIFICATIONS

- ELECTRICAL CHARACTERISTICS:
 - 1-1.RATING: DC 20V 3A MAX
 - 1-2.CONTACT RESISTANCE: 20mΩ MAX(INITAL)
 - 1-3.DIELECTRIC WITHSTANDING VOLTAGE: 500V AC FOR ONE MINUTE
 - 1-4.INSULATION RESISTANCE: 100MΩ MIN, MEASURED BY 500V DC
- LIFE TEST:MECHANICAL LIFE TEST 10,000 CYCLES MIN
- TEMPERATURE RISE : 30°C MAX



P.C.B LAYOUT

CIRCUIT

2	HOUSING	LCP	1	GRAY
1	CONTACT TERMINAL	BeCu	1	Au PLATED
NO.	PARTS	MATERIAL	QTY.	FINISHING

CIKI 东莞市皓富电子科技有限公司
DONGGUAN CITY HAOFU ELECTRONCS TECHNOLOGY CO., LTD

COPYRIGHT RESERVED,PLEASE DO NOT COPY.

PART NAME		CONNECTOR		DRAWING	Z.L.Liang	DWG.No.	
PART NO.		BC1PH57-18D		CHECK	G.C.Chen	REV. A1	
UNIT: mm	TOLERANCE	UP TO 5	± 0.2	APPROVAL	SCALE	DATE	31-03-2021
	OTHERWISE	ABOVE 5~30	± 0.3			ANGLE	PAGE
		ABOVE 30	± 0.5				
		ANGLE	$\pm 3'$				