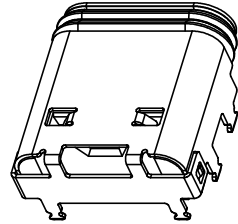
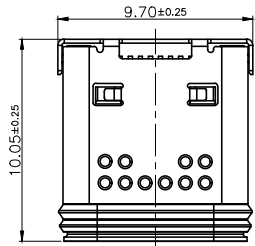


RoHS Compliant

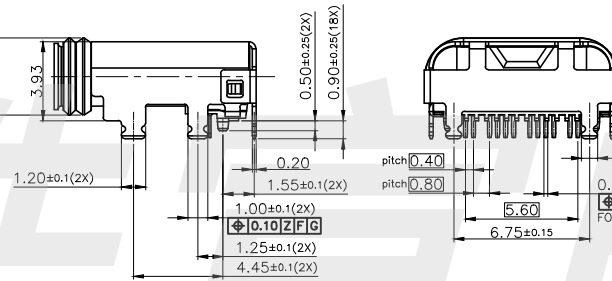
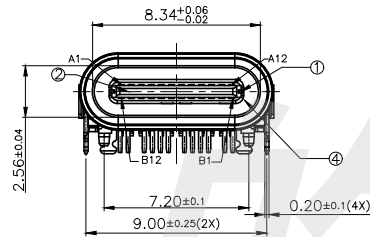
SYMBOL	REV.	REVISION	APPROVAL	DATE



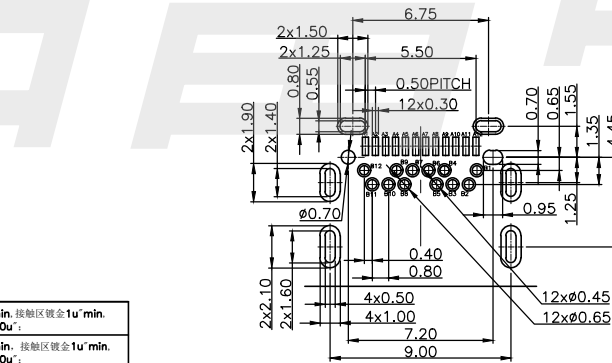
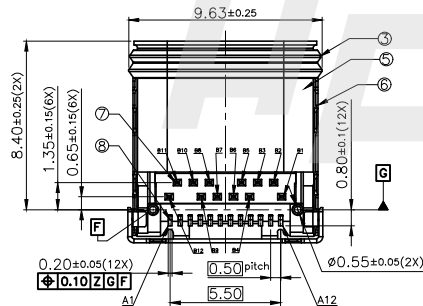
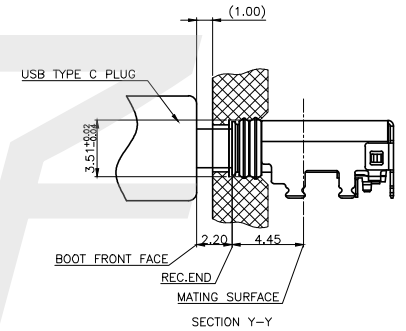
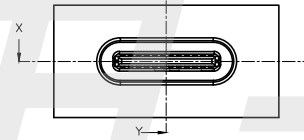
NOTES:

SPECIFICATION:

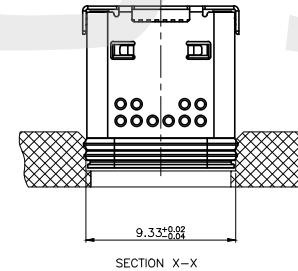
1. CURRENT RATING: 5A MAX
2. VOLTAGE: 100 VAC
3. TEMPERATURE RANGE: -40 °C ~ 85 °C
4. CONTACT RESISTANCE: 40 MILLIONHM MAX
5. INSULATION RESISTANCE: 100 MEGOHMS MIN.
6. LNSERTION FORCE : 5N~20N
7. UNMATING FORCE: 8N~20N
8. DURABILITY: 10,000 CYCLES
9. Water Resistance: IP68



RECOMMENDED OPENING DIMENSIONS OF CASE MATING AREA WITHS EALING RING



RECOMMENDED P.C.B. LAYOUT  
TOLERANCE UNSPECIFIED ±0.05mm



NO.	零件名称	数量	材质	颜色/电镀
⑥	SMT 端子	12	C7025-H T=0.12mm	电镀: 打铜底50u min. 接触区镀银80u min. 接触区镀金1u min. 接触区非接触面1u min. 焊脚镀Sn50~150u
⑦	DIP 端子	12	C7025-H T=0.12mm	电镀: 打铜底50u min. 接触区镀银80u min. 接触区镀金1u min. 接触区非接触面1u min. 焊脚镀Sn50~150u
⑧	外壳	1	SUS304-H T=0.20mm	整体电镀可焊银50u MIN
⑨	内壳	1	SUS316L T=0.20mm	清洗
⑩	EMC	1	SUS316L T=0.12mm	清洗
⑪	防水圈	1	硅橡胶 硬度50	黑色
⑫	塑胶主体	1	NYLON PART	黑色
⑬	中钢片	1	SUS301-EH T=0.15mm	清洗

PIN 定义:

PIN NUMBER	SIGNAL NAME	PIN NUMBER	SIGNAL NAME
A1	GND	B12	GND
A2	SSTxp1	B11	SSRXp1
A3	SSTxn1	B10	SSRXn1
A4	Vbus	B9	Vbus
A5	CC1	B8	SBU2
A6	Dp1	B7	Dn2
A7	Dn1	B6	Dp2
A8	SBU1	B5	CC2
A9	Vbus	B4	Vbus
A10	SSRXn2	B3	SSTXn2
A11	SSRXp2	B2	SSTXp2
A12	GND	B1	GND

**CIKI** 东莞市皓富电子科技有限公司  
DONGGUAN HAOFU ELECTRONIC TECHNOLOGY CO., LTD

COPYRIGHT RESERVED, PLEASE DO NOT COPY.

PART NAME	Type-C24Pin母座 IP68防水(EMC款)		DRAWING	Z.L.Liang	DWG.No.	
PART NO.	HF-WP-CF24-006		CHECK	G.C.Chen	REV.	A0
UNIT:	TOLERANCE UNLESS OTHERWISE SPECIFIED	X.X ± 0.3 X.XX ± 0.2 X.XXX ± 0.1	APPROVAL	G.C.Chen	DATE	
mm			SCALE	1:1	PAGE	1 OF 1

F E D C B A