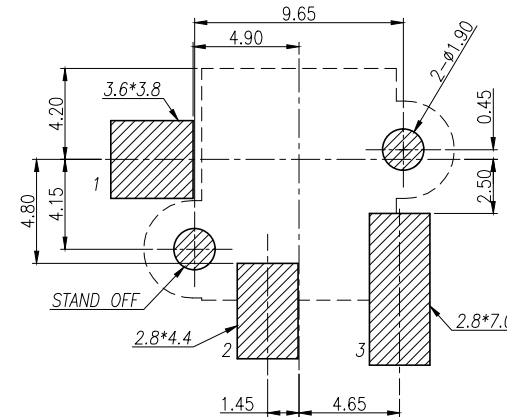
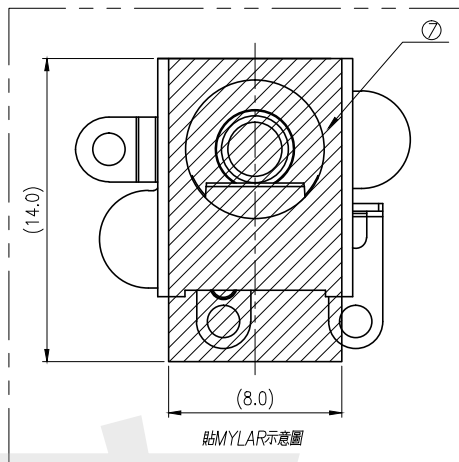
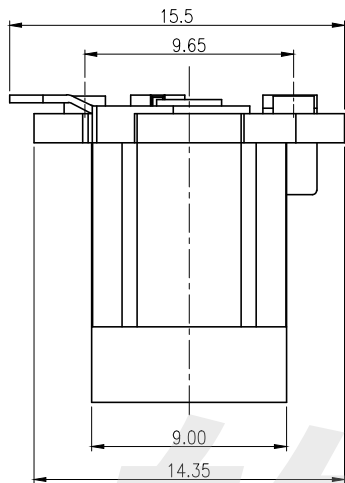


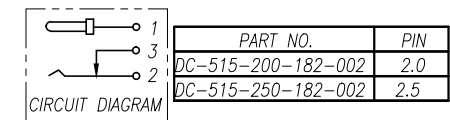
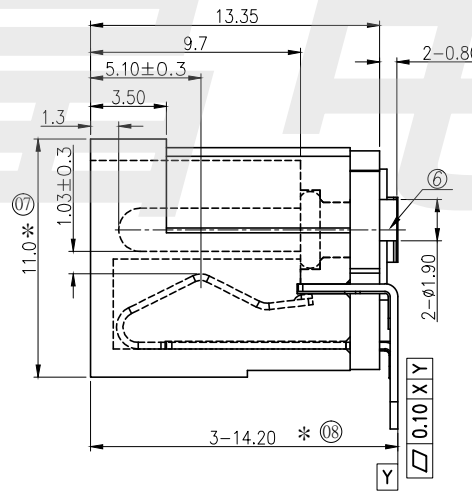
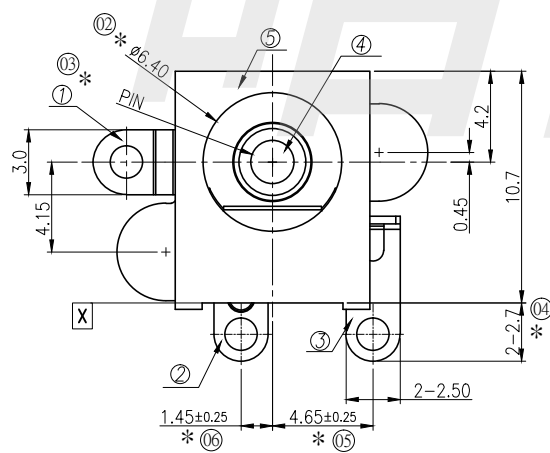
RoHS Compliant

SYMBOL	REV.	REVISION	APPROVAL	DATE



PCB LAYOUT TOP VIEW
TOLERANCES: ±0.05

- SPECIFICATIONS:
- ELECTRICAL CHARACTERISTICS:
 - RATING: 20V, 4A.
 - CONTACT RESISTANCE: 50 MILLIOHMS Max. FOR INITIAL, 80 MILLIOHMS Max. AFTER 5000 CYCLES.
 - INSULATION RESISTANCE: 100 MEGAOHMS Min. BY 500V DC AFTER 1 MINUTE.
 - DIELECTRIC WITHSTANDING VOLTAGE: 500V RMS AFTER 1 MINUTE.
 - MECHANICAL CHARACTERISTICS:
 - INSERTION FORCE : 0.3~3.0 KGF(2.94~29.4N)
 - WITHDRAWAL FORCE : 0.3~3.0 KGF(2.94~29.4N)
 - LIFE TEST: 5,000 CYCLES MIN.



⑦	MYLAR	1	N/A	AMBER
⑥	COVER	1	PAGT	Black
⑤	HOUSING	1	PAGT	Black
④	CENTER PIN	1	BRASS φ2.0	Ni-Plated
③	TERMINAL 3#	1	COPPER ALLOY t=0.35	Ag-Plated
②	TERMINAL 2#	1	COPPER ALLOY t=0.30	Ag-Plated
①	TERMINAL 1#	1	COPPER ALLOY t=0.35	Ag-Plated

CIKI 东莞市皓富电子科技有限公司
DONGGUAN HAOFU ELECTRONIC TECHNOLOGY CO., LTD

COPYRIGHT RESERVED, PLEASE DO NOT COPY.

PART NAME	DC POWER JACK	DRAWING	Z. L. Liang	DWG. No.
PART NO.	DC-515-2XX-182-002	CHECK	G. C. Chen	REV. A0
UNIT : mm	TOLERANCE UNLESS OTHERWISE SPECIFIED X. X ± 0.3 X. XX ± 0.2 X. XXX ± 0.1	ANGLE ±2°	APPROVAL G. C. Chen	DATE
		SCALE 1:1	PAGE	1 OF 1